

# Babu

Massimiliano Raggi



TEXTILE SMALL



TEXTILE MEDIUM



TEXTILE LARGE



Babu è una collezione da esterni IP65 pensata per sorprendere tracciando un segno luminoso nello spazio. Realizzata attraverso la tecnologia innovativa della stampa digitale tridimensionale su tessuti per esterno che regala profondità e crea interessanti giochi ottici. Disponibile in tre dimensioni nella variante Textile con passamaneria in velluto outdoor, nelle colorazioni Arancio, Blu avio e Senape. La base è realizzata in acciaio con trattamento di cataforesi laccato effetto champagne (pertanto adatta per l'utilizzo navale). Le lampade sono fornite con connettore IP68. Su richiesta è disponibile l'ancoraggio a terra a seconda del tipo di superficie a cui si vuole fissare.

*Babu is an IP65 outdoor collection designed to surprise by tracing a luminous sign in the space. It is made using the innovative technology of three-dimensional digital printing on outdoor fabrics, which gives depth and creates interesting optical games. Available in three sizes in the Textile version with outdoor velvet trimmings, in the colours Orange, Blue and Mustard. The base is made of champagne painted steel with the cathoresis treatment (Marine Grade). The lamps are supplied with an IP68 connector. On request, ground anchoring is available depending on the type of surface to be fixed upon.*

## SPECIFICHE PRODOTTO / PRODUCT SPECIFICS

p.2

BABU SMALL  
BABU MEDIUM  
BABU LARGE

p.4

p.5

p.6

ANCORAGGIO A PAVIMENTO / FLOOR ANCHORING  
ANCORAGGIO A TERRENO / GROUND ANCHORING

p.7

p.8

## STRUTTURA / *FRAME*



Acciaio laccato effetto champagne,  
trattamento cataforesi Marine Grade  
*Champagne painted steel,  
Marine Grade with cataphoresis treatment*

## PARALUME / *SHADE*



Stampa TEXTILE digitale  
3D su tessuto  
*3D digital TEXTILE printing  
on fabric*



Passamaneria in velluto  
outdoor senape  
*Mustard colour velvet trim  
- for outdoor use*



Passamaneria in velluto  
outdoor arancio  
*Orange colour velvet trim  
- for outdoor use*



Passamaneria in velluto  
outdoor blu avio  
*Aviation blue colour velvet  
trim - for outdoor use*

### NOTE:

1. Fornita solo con connettore IP68. In caso di collegamento con spina, il grado di protezione passa da IP65 a IP44.
2. Rimuovere i diffusori per la pulizia interna e dei diffusori stessi della lampada.
3. Utilizzare un panno umido per pulire la struttura interna.

### NOTES:

1. Supplied only with IP68 connector. In case of connection with a plug, the degree of protection changes from IP65 to IP44.
2. Remove the shades for cleaning the interior and the diffusers themselves.
3. Use a dry cloth to clean the frame of the lamp.

## ANCORAGGIO AL SUOLO / *GROUND ANCHORING*

Ancoraggio a pavimento  
*Floor anchoring*



Ancoraggio a terreno  
*Ground anchoring*





## CAVO / CABLE

Cavo nero  
Black cable

Connettore IP68 per esterni  
IP68 outdoor connector

L: 2000 mm  
L: 78.7"



## FONTE LUMINOSA / LIGHT SOURCE

### 220-240V

 Strip LED  
IP65



#### SMALL

1 x 17W

Emissione / Light emission: 1.820 Lm  
3.000 K; CRI: >90

#### MEDIUM

1 x 24W

Emissione / Light emission: 2.600 Lm  
3.000 K; CRI: >90

#### LARGE

1 x 34W

Emissione / Light emission: 3.640 Lm  
3.000 K; CRI: >90



### 110V

 Strip LED  
IP65



#### SMALL

1 x 17W

Light emission: 1.820 Lm  
3.000 K; CRI: >90

#### MEDIUM

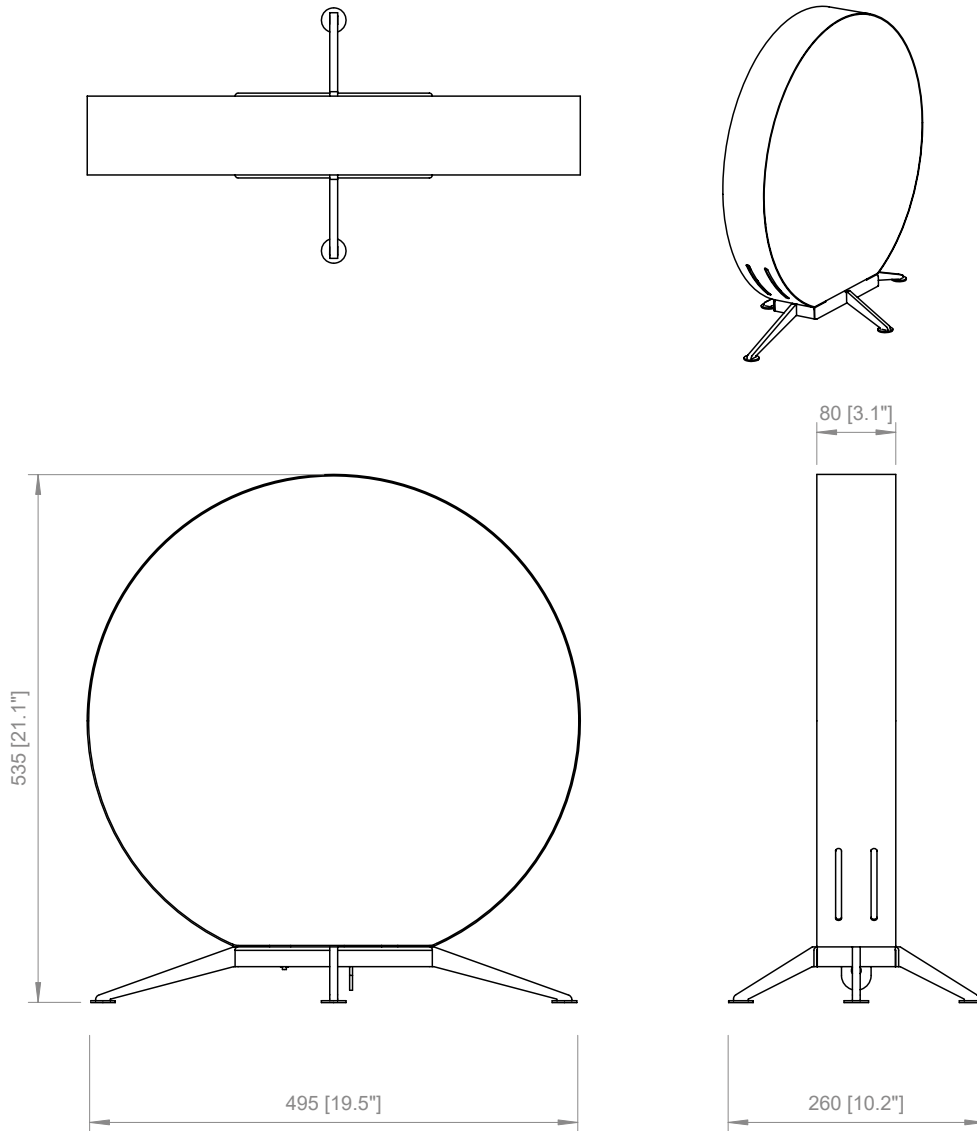
1 x 24W

Light emission: 2.600 Lm  
3.000 K; CRI: >90

#### LARGE

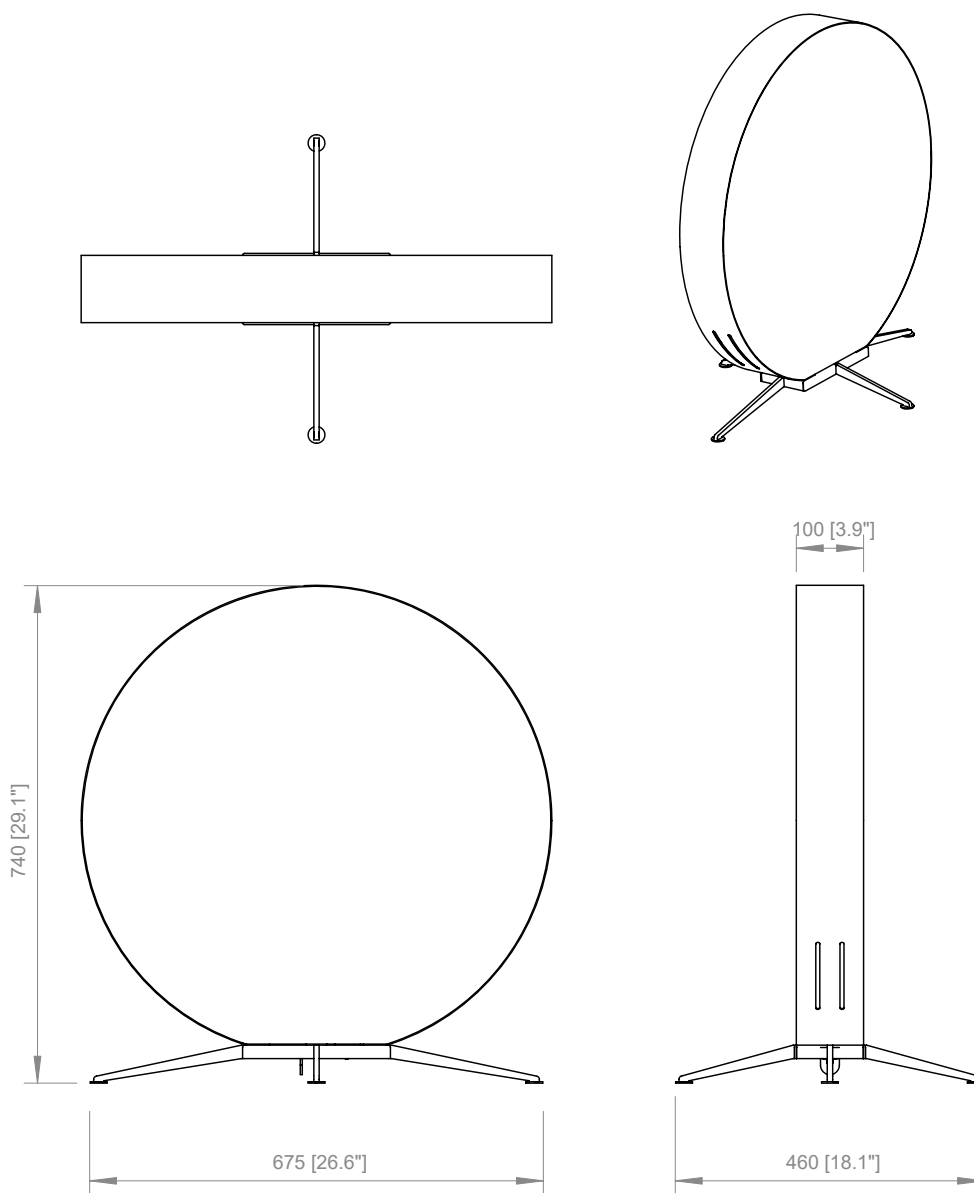
1 x 34W

Light emission: 3.640 Lm  
3.000 K; CRI: >90



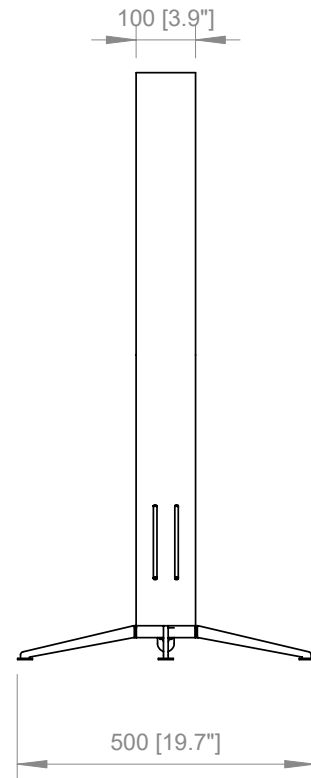
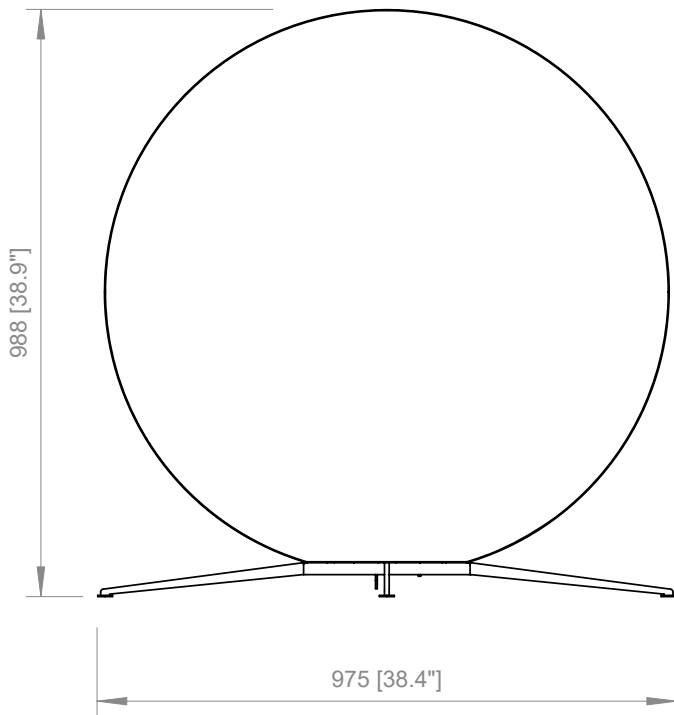
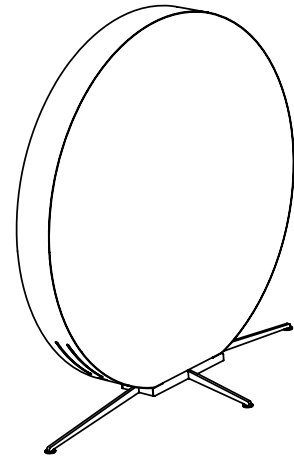
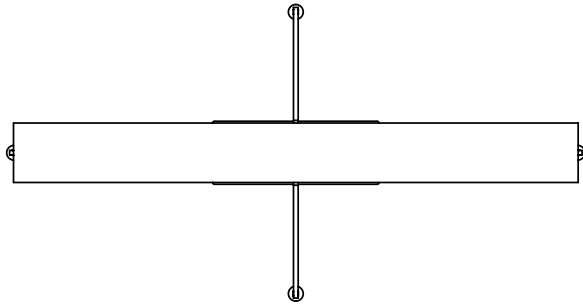
**PRODOTTO / PRODUCT**   **IMBALLI / PACKAGING**

Box 1	Box 1	Box 2
6 kg / 13.2 lbs	L: 620 mm / 24.4" P: 620 mm / 24.4" H: 160 mm / 6.3" Peso: 5.5 kg / 12.1 lbs	L: 605 mm / 23.8" P: 570 mm / 22.4" H: 60 mm / 2.3" Peso: 1.5 kg / 3.3 lbs



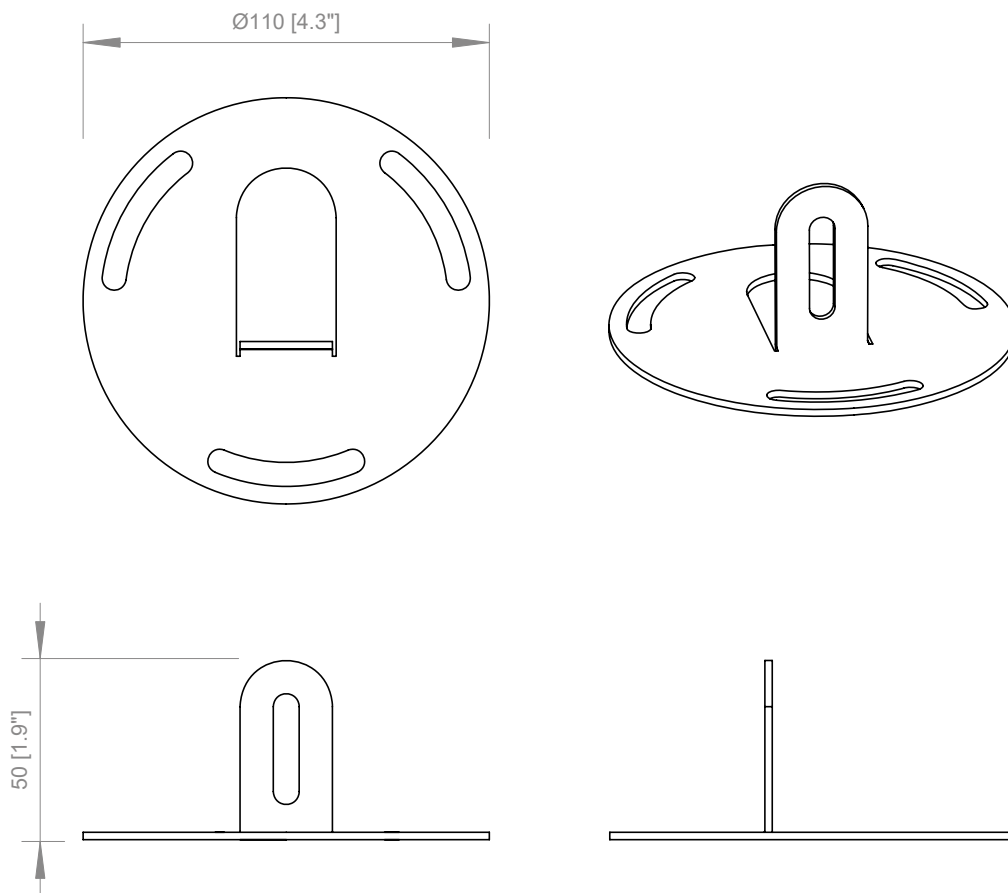
**PRODOTTO / PRODUCT**   **IMBALLI / PACKAGING**

Box 1	Box 1	Box 2
9 kg / 19.8 lbs	L: 820 mm / 32.2"	L: 805 mm / 31.7"
	P: 820 mm / 32.2"	P: 765 mm / 30.1"
	H: 180 mm / 7.1"	H: 90 mm / 3.5"
	Peso: 8.5 kg / 18.7 lbs	Peso: 2 kg / 4.4 lbs



**PRODOTTO / PRODUCT**   **IMBALLI / PACKAGING**

Box 1	Box 1	Box 2
12 kg / 26.4 lbs	L: 1020 mm / 41.1"	L: 1055 mm / 41.5"
	P: 1020 mm / 41.1"	P: 1015 mm / 39.9"
	H: 180 mm / 7.1"	H: 60 mm / 2.3"
	Peso: 11 kg / 24.2 lbs	Peso: 2.5 kg / 5.5 lbs



**IMBALLI / PACKAGING**

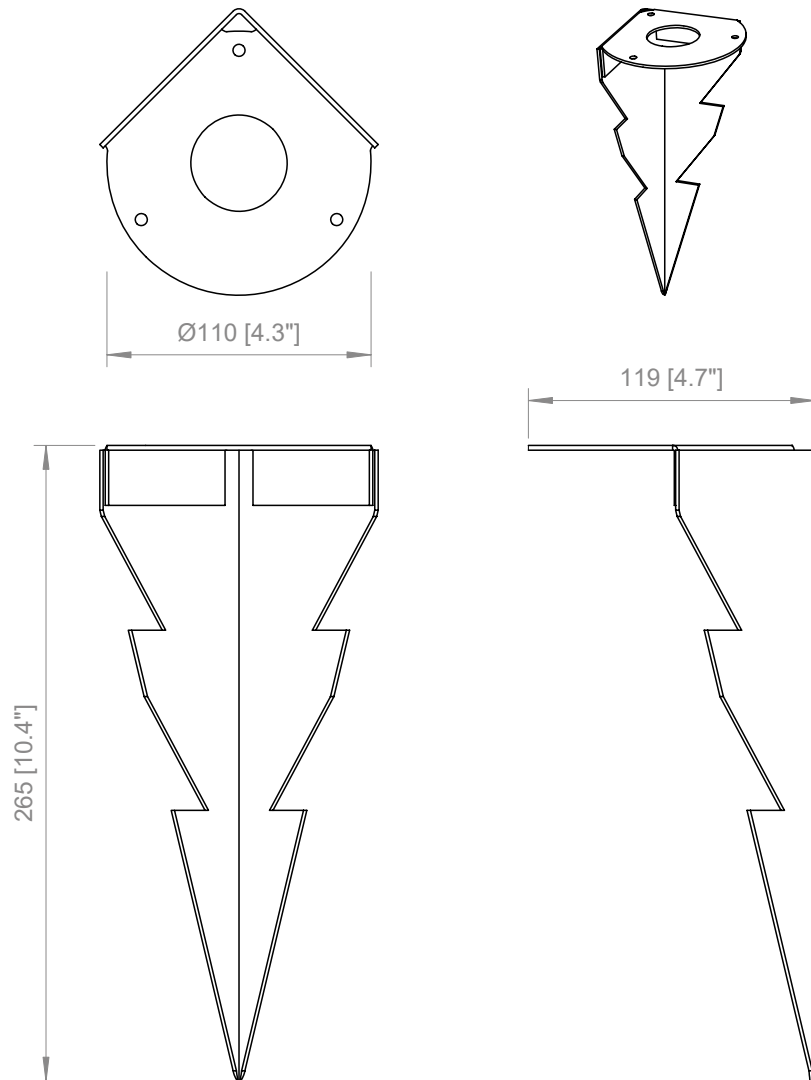
**Box 1**

L: 160 mm / 6.3"

P: 160 mm / 6.3"

H: 110 mm / 4.3"

Peso: 0,5 kg / 1.1 lbs



**IMBALLI / PACKAGING**

**Box 1**

L: 410 mm / 16.1"

P: 175 mm / 6.8"

H: 175 mm / 6.8"

Peso: 1 kg / 2.2 lbs



Copyright and/or design rights subsist in this drawing. No part of this drawing may be reproduced in any material form (including photocopying or storing in any medium electronic means, whether or not intentionally and whether or not as part or a larger publication) without the express permission of the copyright owner, Contardi Lighting S.r.l.. Further and without prejudice to the above, this drawing and all information relating thereto is confidential, and shall not be communicated to a third party without the consent of Contardi lighting srl. Contardi lighting srl asserts all rights to be identified as the author of the work and otherwise.

WARNING: The doing of any unauthorised act in relation to a copyright work may result in both a civil claim for damages and criminal prosecution.

---

**CONTARDI LIGHTING Srl**

ITALY HEADQUARTERS

[contardi-italia.com](http://contardi-italia.com) / [sales@contardi-italia.it](mailto:sales@contardi-italia.it)

**CONTARDI USA Inc**

USA BRANCH

[contardi-usa.com](http://contardi-usa.com) / [sales@contardi-usa.com](mailto:sales@contardi-usa.com)

