

Calypso fl outdoor

Servomuto



FL OUTDOOR



FL+TABLE OUTDOOR



La famiglia Calypso si allarga con la versione da terra, sempre da esterno IP65. Il prodotto è disponibile in due versioni: piantana singola con paralume o doppia con paralume e tavolino. La sorgente luminosa è posta all'interno di un cilindro di vetro che è sigillato per garantire il grado di protezione IP65. La parte inferiore della struttura è laccata nera come il tavolino, la parte superiore è laccata color verde RAL 6011.

Le lampade sono fornite con connettore IP68.

Calypso family is growing with the floor-standing version, again as an IP65 outdoor lamp. The product is available in two versions: single floor lamp with a shade and double structure either with a shade and a table. The light source is housed inside a glass cylinder that is sealed to guarantee the IP65 degree of protection. The lower part of the structure is black lacquered, as is the coffee table. The upper part is RAL 6011 green lacquered.

The lamps are supplied with an IP68 connector.

SPECIFICHE PRODOTTO / PRODUCT SPECIFICS

p.2

CALYPSO FL OUTDOOR ANTIGUA

p.4

CALYPSO FL OUTDOOR GUADALOUPE

p.5

CALYPSO FL OUTDOOR MARTINIQUE

p.6

CALYPSO FL+TABLE OUTDOOR ANTIGUA

p.7

CALYPSO FL+TABLE OUTDOOR GUADALOUPE

p.8

CALYPSO FL+TABLE OUTDOOR MARTINIQUE

p.9

STRUTTURA / FRAME



Laccato nero opaco
Matt black lacquered



Laccato verde reseda RAL 6011
Reseda green RAL 6011 lacquered

Trattamento cataforesi Marine Grade
Marine Grade with cataphoresis treatment

PARALUME / SHADE

ANTIGUA



Mint

GUADALOUPE



Sale e pepe

MARTINIQUE



Yellow



Building

NOTE:

1. Tessuti ignifughi: CLASSE UNO IM - BS EN 1021.1:2006 CIGARETTE TEST - BS EN 1021.2:2006 BUTANE FLAME TEST - NPFA 260:CLASS 1 IMO A0652(16) - CIGARETTE TEST AND BUTANE TEST
2. Fornita solo con connettore IP68. In caso di collegamento con spina, il grado di protezione passa da IP65 a IP44.

NOTES:

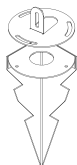
1. Fire-resistant fabric: CLASSE UNO IM - BS EN 1021.1:2006 CIGARETTE TEST - BS EN 1021.2:2006 BUTANE FLAME TEST - NPFA 260:CLASS 1 IMO A0652(16) - CIGARETTE TEST AND BUTANE TEST
2. Supplied only with IP68 connector. In case of connection with a plug, the degree of protection changes from IP65 to IP44.

ANCORAGGIO AL SUOLO / GROUND ANCHORING

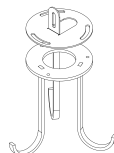
Ancoraggio a pavimento
Floor anchoring



Ancoraggio a terreno
Ground anchoring



Ancoraggio a cemento
Cement anchoring





FONTE LUMINOSA / LIGHT SOURCE

220-240V



E27 T8 Tubular LED

1 x 9W E27 T8
Lampadina Tubular LED
Tubular LED bulb
IP65

Fornito con connettore da esterno IP68
IP68 outdoor connector

Compatibile con sistemi di controllo
remoto in caso di utilizzo di lampadine
LED dimmerabili

*Compatible with remote control systems
when dimmable LED bulb are used*



 Calypso Outdoor

110V

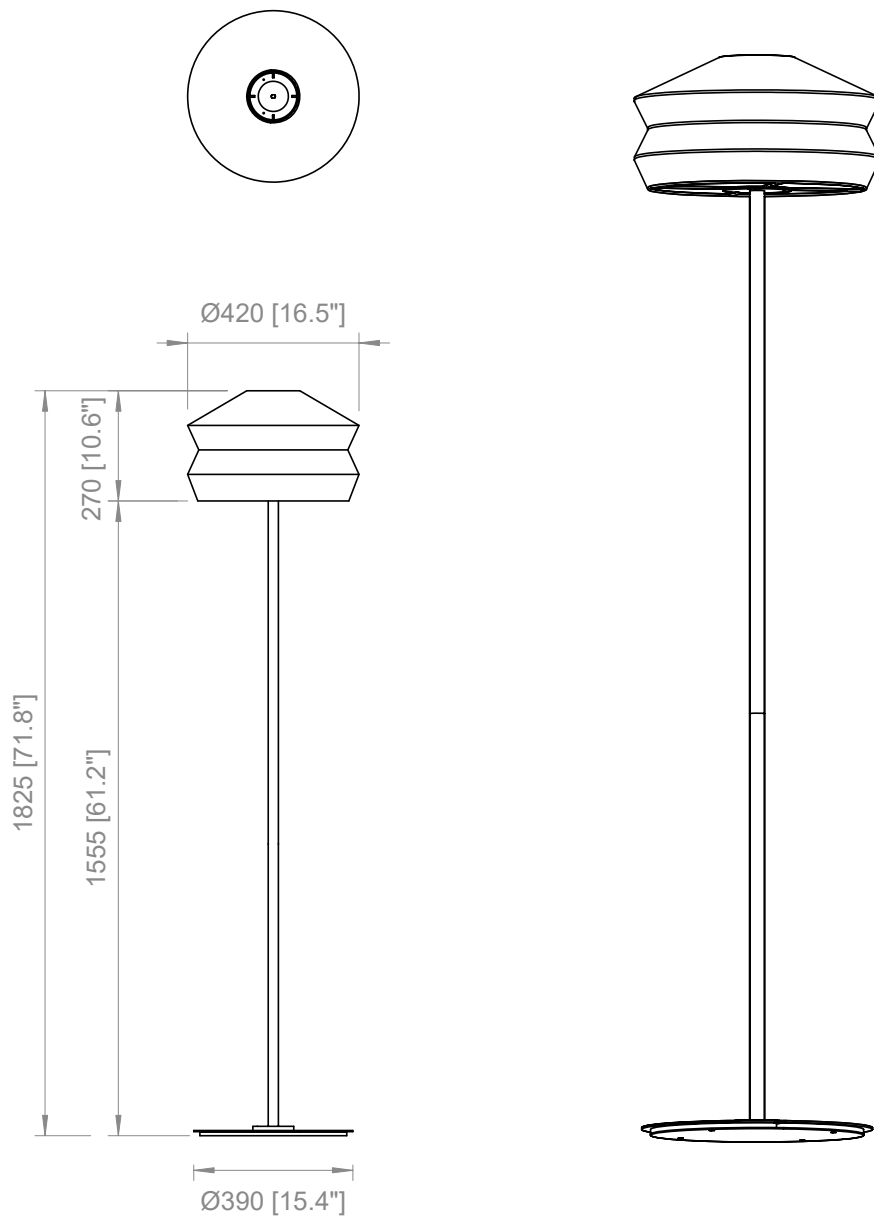


E26 T8 Tubular LED

1 x 9W E26 T8
Tubular LED bulb
IP65

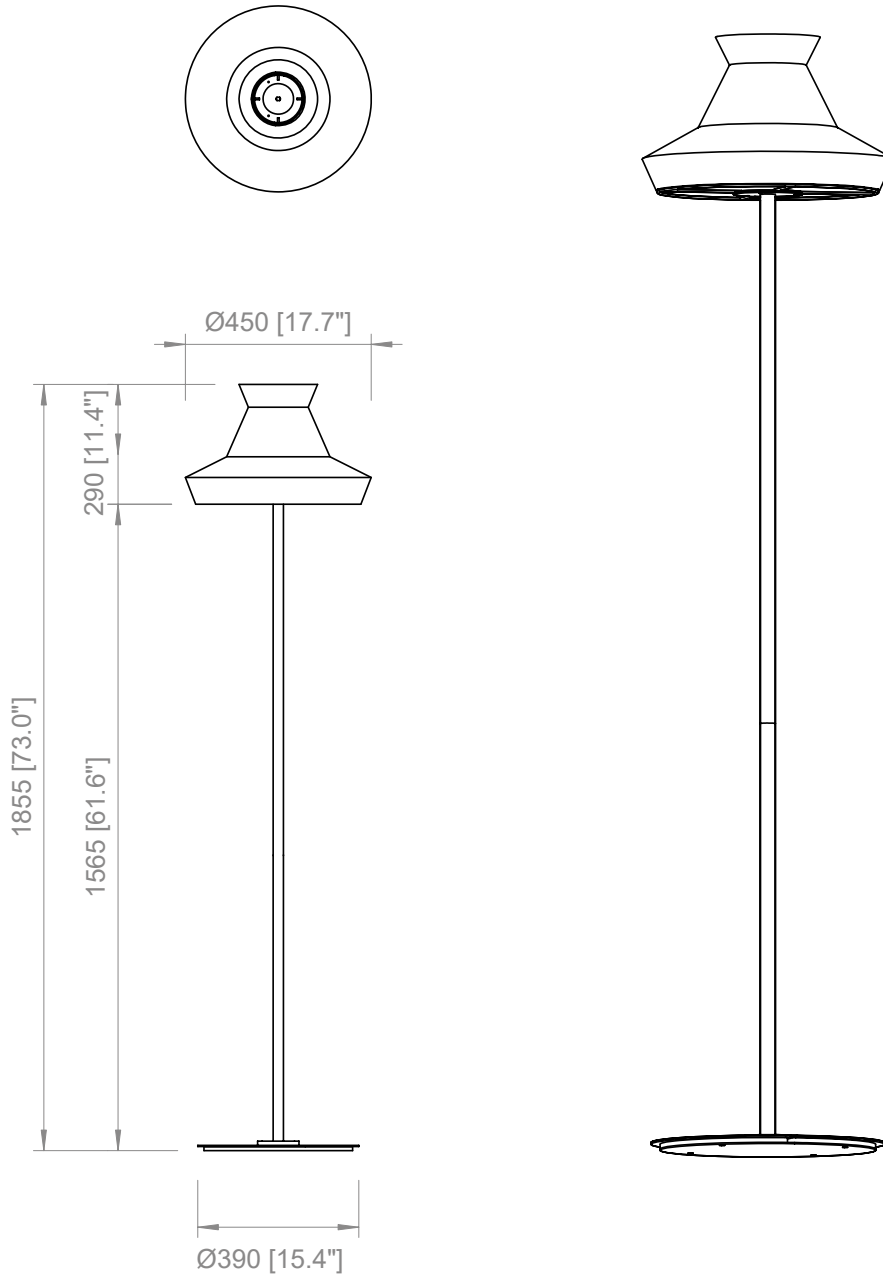
IP68 outdoor connector

*Compatible with remote control systems
when dimmable LED bulb are used*



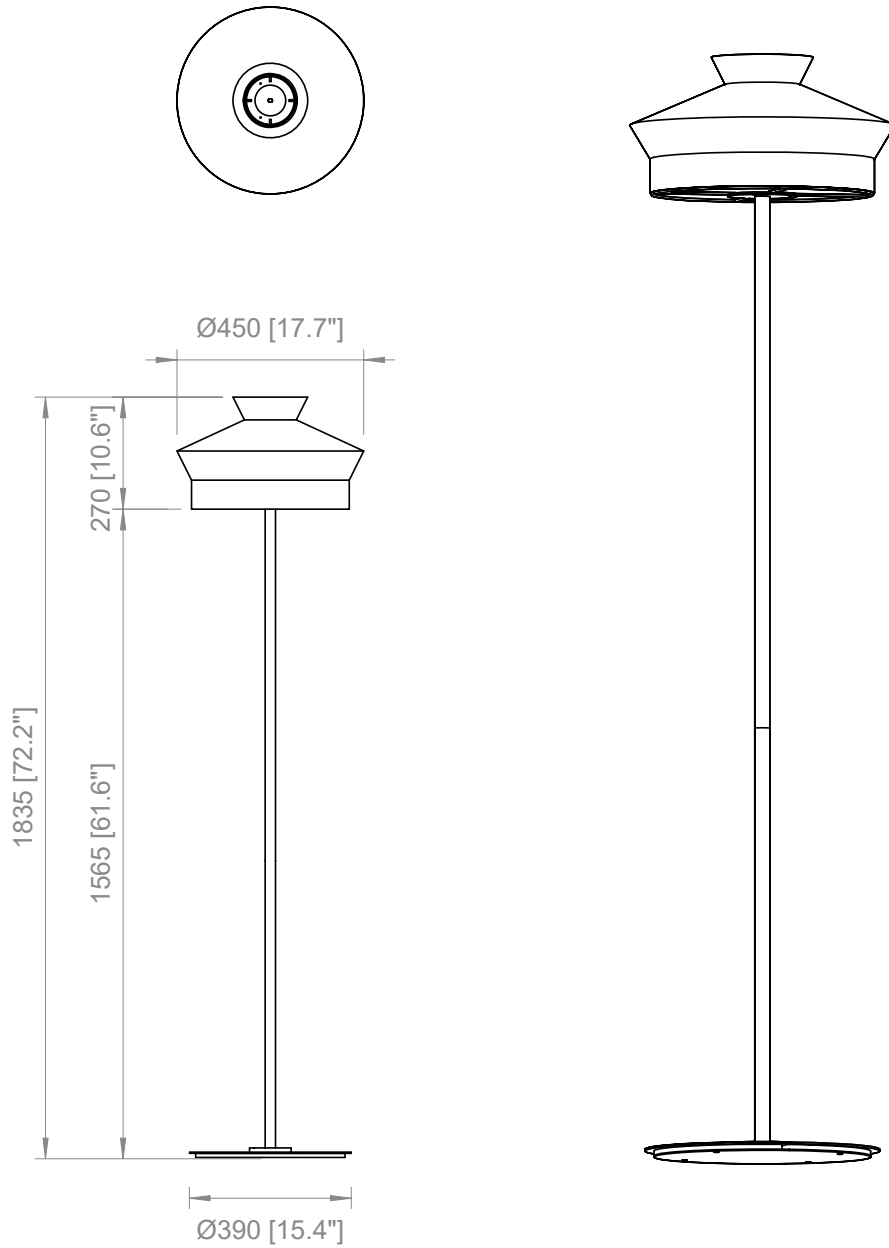
PRODOTTO / PRODUCT **IMBALLI / PACKAGING**

Peso-Weight	Box 1	Box 2	Box 3
20 kg / 44.1 lbs	L: 225 mm / 8.8"	L: 435 mm / 17.1"	L: 485 mm / 19.1"
	P-W: 225 mm / 8.8"	P-W: 435 mm / 17.1"	P-W: 455 mm / 17.9"
	H: 1920 mm / 75.6"	H: 170 mm / 6.7"	H: 285 mm / 11.2"
	Peso-Weight: 4 kg / 8.8 lbs	Peso-Weight: 15.5 kg / 34.1 lbs	Peso-Weight: 3 kg / 6.6 lbs



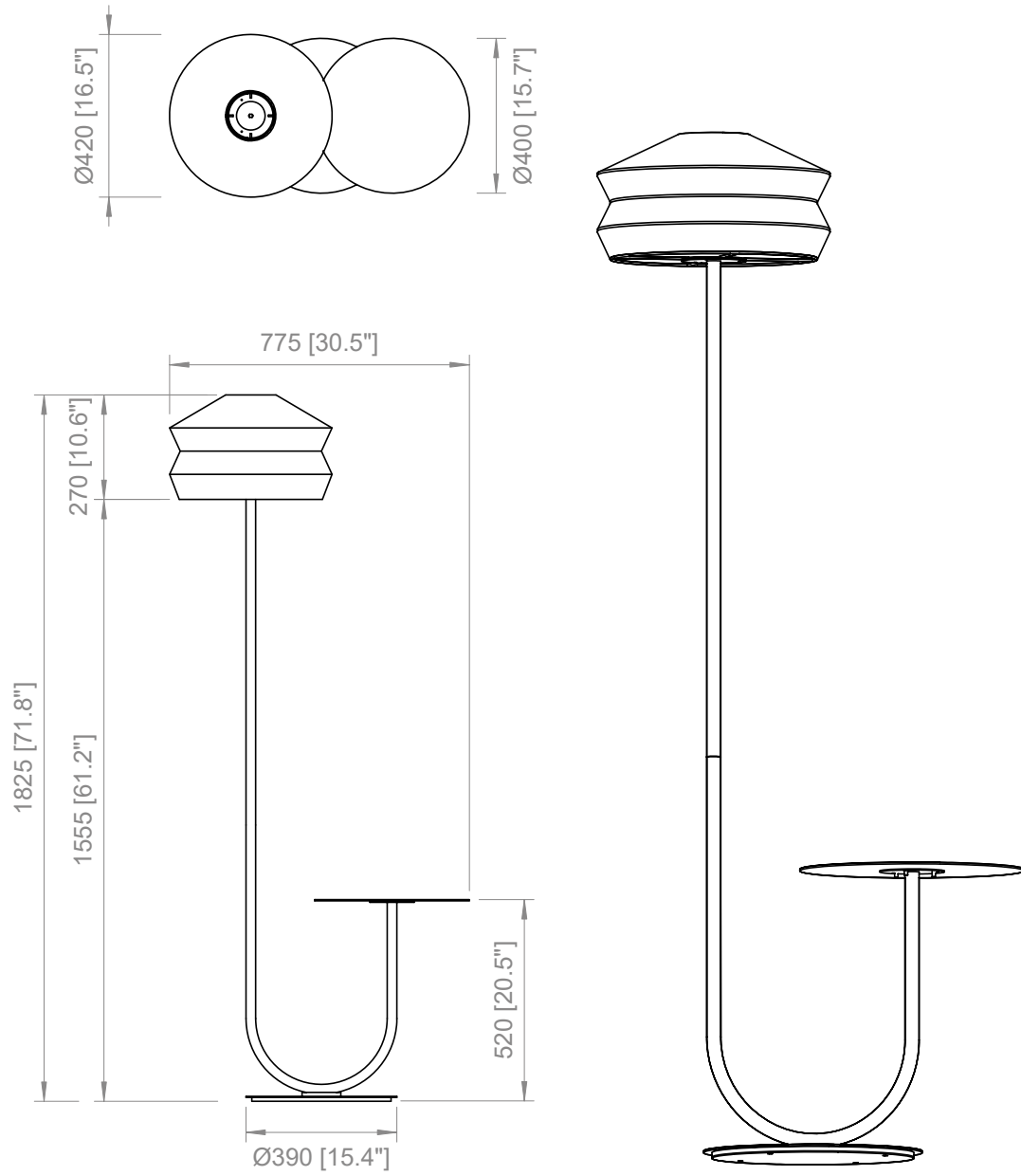
PRODOTTO / PRODUCT **IMBALLI / PACKAGING**

Peso-Weight	Box 1	Box 2	Box 3
20 kg / 44.1 lbs	L: 225 mm / 8.8"	L: 435 mm / 17.1"	L: 485 mm / 19.1"
	P-W: 225 mm / 8.8"	P-W: 435 mm / 17.1"	P-W: 455 mm / 17.9"
	H: 1920 mm / 75.6"	H: 170 mm / 6.7"	H: 285 mm / 11.2"
	Peso-Weight: 4 kg / 8.8 lbs	Peso-Weight: 15.5 kg / 34.1 lbs	Peso-Weight: 3 kg / 6.6 lbs



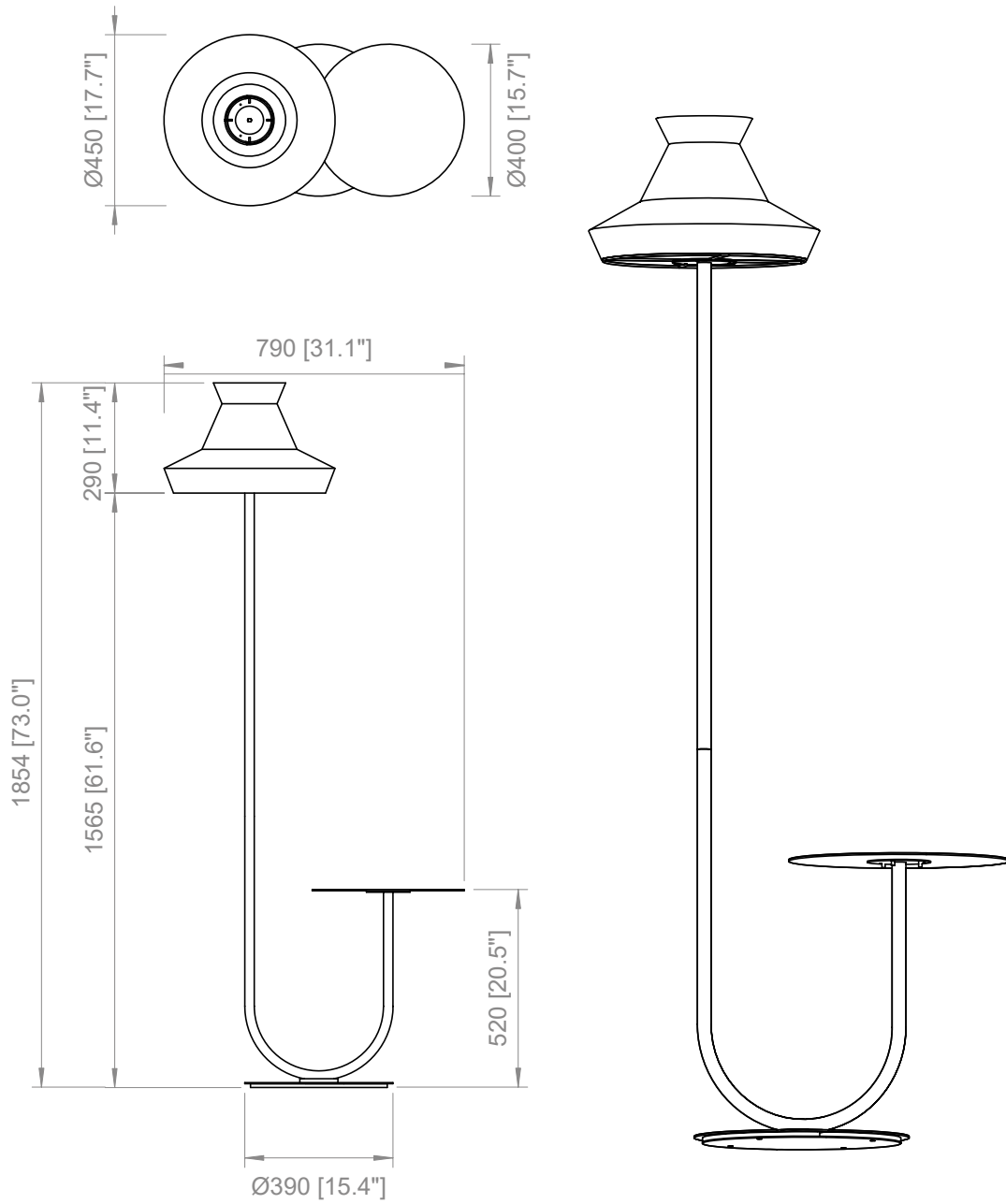
PRODOTTO / PRODUCT **IMBALLI / PACKAGING**

Peso-Weight	Box 1	Box 2	Box 3
20 kg / 44.1 lbs	L: 225 mm / 8.8"	L: 435 mm / 17.1"	L: 485 mm / 19.1"
	P-W: 225 mm / 8.8"	P-W: 435 mm / 17.1"	P-W: 455 mm / 17.9"
	H: 1920 mm / 75.6"	H: 170 mm / 6.7"	H: 285 mm / 11.2"
	Peso-Weight: 4 kg / 8.8 lbs	Peso-Weight: 15.5 kg / 34.1 lbs	Peso-Weight: 3 kg / 6.6 lbs



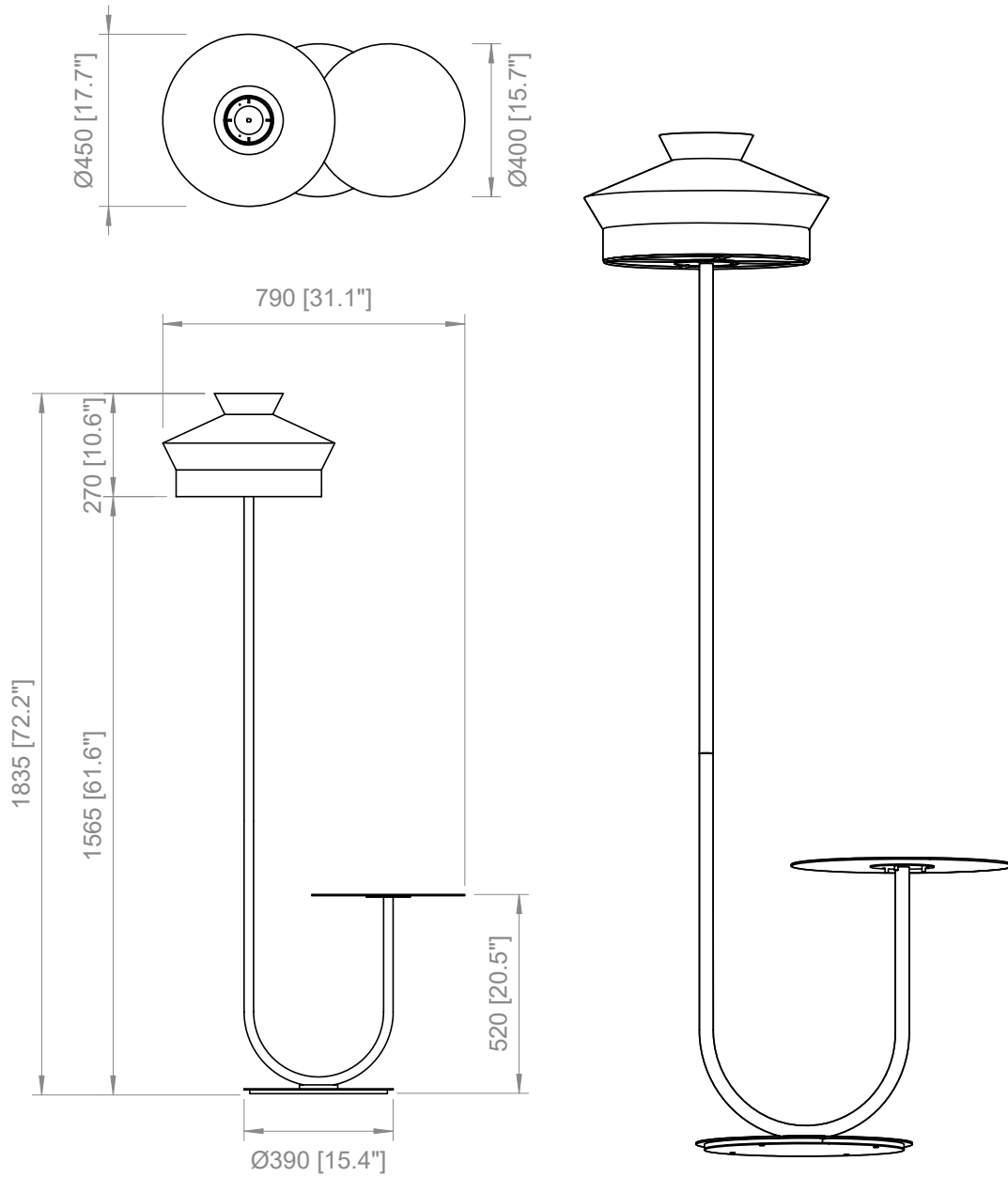
PRODOTTO / PRODUCT **IMBALLI / PACKAGING**

Peso-Weight	Box 1	Box 2	Box 3	Box 4
23.5 kg / 51.8 lbs	L: 620 mm / 24.4"	L: 435 mm / 17.1"	L: 455 mm / 17.9"	L: 465 mm / 18.3"
	P-W: 170 mm / 6.7"	P-W: 435 mm / 17.1"	P-W: 455 mm / 17.9"	P-W: 465 mm / 18.3"
	H: 1805 mm / 71"	H: 170 mm / 6.7"	H: 285 mm / 11.2"	H: 170 mm / 6.7"
	Peso-Weight: 7 kg / 15.4 lbs	Peso-Weight: 12 kg / 26.4 lbs	Peso-Weight: 2 kg / 4.4 lbs	Peso-Weight: 7.5 kg / 16.5 lbs



PRODOTTO / PRODUCT **IMBALLI / PACKAGING**

Peso-Weight	Box 1	Box 2	Box 3	Box 4
23.5 kg / 51.8 lbs	L: 620 mm / 24.4"	L: 435 mm / 17.1"	L: 455 mm / 17.9"	L: 465 mm / 18.3"
	P-W: 170 mm / 6.7"	P-W: 435 mm / 17.1"	P-W: 455 mm / 17.9"	P-W: 465 mm / 18.3"
	H: 1805 mm / 71"	H: 170 mm / 6.7"	H: 285 mm / 11.2"	H: 170 mm / 6.7"
	Peso-Weight: 7 kg / 15.4 lbs	Peso-Weight: 12 kg / 26.4 lbs	Peso-Weight: 2 kg / 4.4 lbs	Peso-Weight: 7.5 kg / 16.5 lbs



PRODOTTO / PRODUCT **IMBALLI / PACKAGING**

Peso-Weight	Box 1	Box 2	Box 3	Box 4
23.5 kg / 51.8 lbs	L: 620 mm / 24.4" P-W: 170 mm / 6.7" H: 1805 mm / 71" Peso-Weight: 7 kg / 15.4 lbs	L: 435 mm / 17.1" P-W: 435 mm / 17.1" H: 170 mm / 6.7" Peso-Weight: 12 kg / 26.4 lbs	L: 455 mm / 17.9" P-W: 455 mm / 17.9" H: 285 mm / 11.2" Peso-Weight: 2 kg / 4.4 lbs	L: 465 mm / 18.3" P-W: 465 mm / 18.3" H: 170 mm / 6.7" Peso-Weight: 7.5 kg / 16.5 lbs

Copyright and/or design rights subsist in this drawing. No part of this drawing may be reproduced in any material form (including photocopying or storing in any medium electronic means, whether or not intentionally and whether or not as part or a larger publication) without the express permission of the copyright owner, Contardi Lighting S.r.l.. Further and without prejudice to the above, this drawing and all information relating thereto is confidential, and shall not be communicated to a third party without the consent of Contardi lighting srl. Contardi lighting srl asserts all rights to be identified as the author of the work and otherwise.

WARNING: The doing of any unauthorised act in relation to a copyright work may result in both a civil claim for damages and criminal prosecution.

CONTARDI LIGHTING Srl

ITALY HEADQUARTERS

contardi-italia.com / sales@contardi-italia.it

CONTARDI USA Inc

USA BRANCH

contardi-usa.com / office@contardi-usa.com