

Bianca

Dainelli Studio



AP



SO



SO DOUBLE



Traendo ispirazione dall'intricata struttura di un fiocco di neve, Bianca è composta da moduli che sono stati disposti in una sequenza precisa per garantire la dinamicità della lampada.

Bianca è disponibile nelle finiture laccato oro e laccato nero seta opaco. Le sorgenti luminose, in finitura vetro bianco opale, sono incluse.

Montata a parete o utilizzata come lampada a sospensione, questa lampada è sia un pezzo funzionale sia di grande impatto decorativo, che aggiunge eleganza e raffinatezza all'ambiente circostante.

Drawing inspiration from the intricate structure of a snowflake, Bianca is made of irregular modules that have been arranged in a precise sequence to ensure the lamp's stability.

The Bianca collection is available in gold lacquered and matt black silk lacquered finishes. The light sources, in opal white glass finish, are included. Whether mounted on a wall or used as a pendant light, this is both a functional and a striking decorative piece that adds elegance and sophistication to its surroundings.

SPECIFICHE PRODOTTO / PRODUCT SPECIFICS

p.2

BIANCA AP CON BASETTA
BIANCA AP SENZA BASETTA

p.3
p.4

BIANCA SO
BIANCA SO DOUBLE

p.5
p.6

STRUTTURA / FRAME



Laccato nero seta opaco
Matt black silk lacquered



Laccato oro
Gold lacquered

DIFFUSORE / DIFFUSER



Vetro bianco opaco
Opal white glass

FONTE LUMINOSA / LIGHT SOURCE

220-240V



LED module

AP

2 x 5W LED +
2 x 8W LED
3.000 K; CRI: >90
IP20

SO

3 x 8W LED +
3 x 10W LED
3.000 K; CRI: >90
IP20

SO DOUBLE

6 x 8W LED +
6 x 10W LED
3.000 K; CRI: >90
IP20

Dimmerazione a taglio di fase/Triac -
altri sistemi di dimmerazione (DALI
e 1-10V) disponibili su richiesta

*Phase cut/Triac dimming -
alternative dimming systems
(DALI and 1-10V) available on demand*



110V



LED module

AP

2 x 5W LED +
2 x 8W LED
3.000 K; CRI: >90
IP20

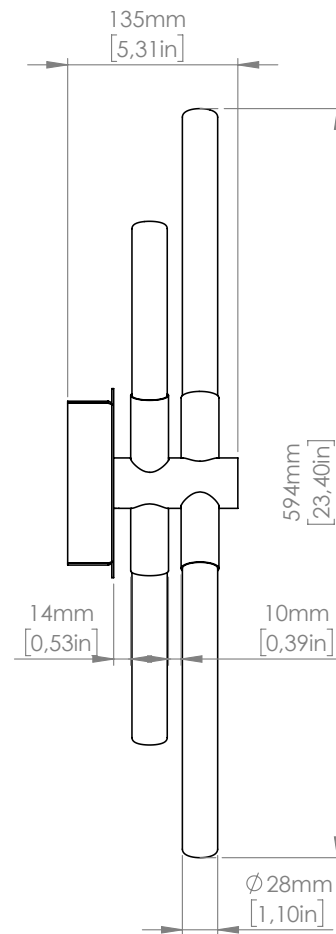
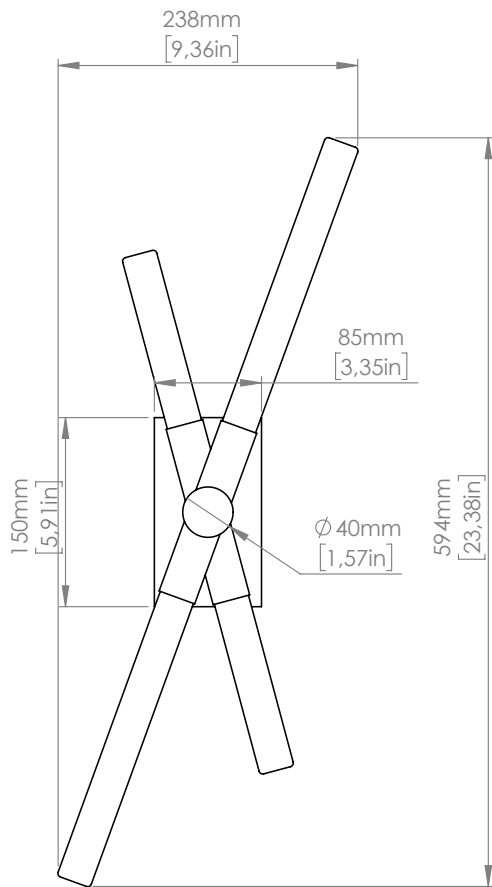
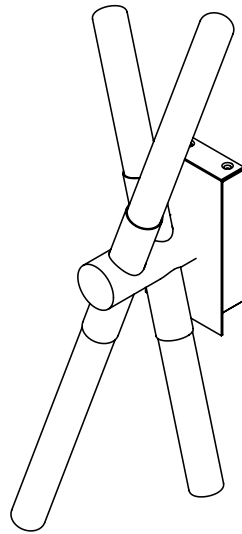
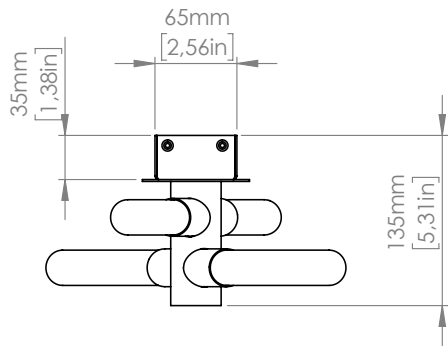
SO

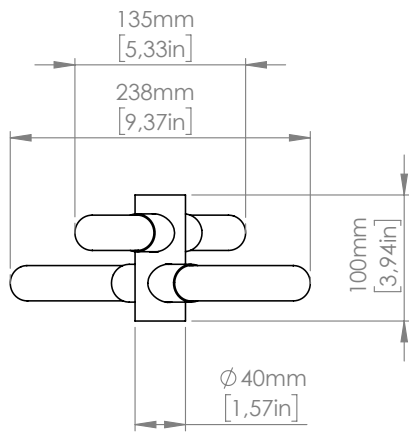
3 x 8W LED +
3 x 10W LED
3.000 K; CRI: >90
IP20

SO DOUBLE

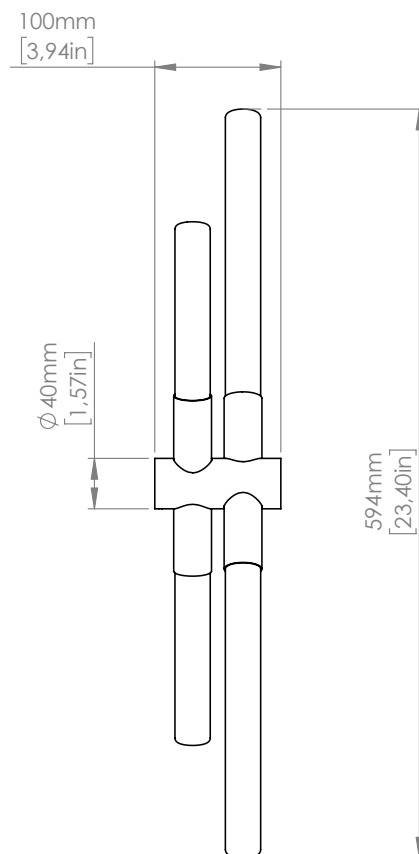
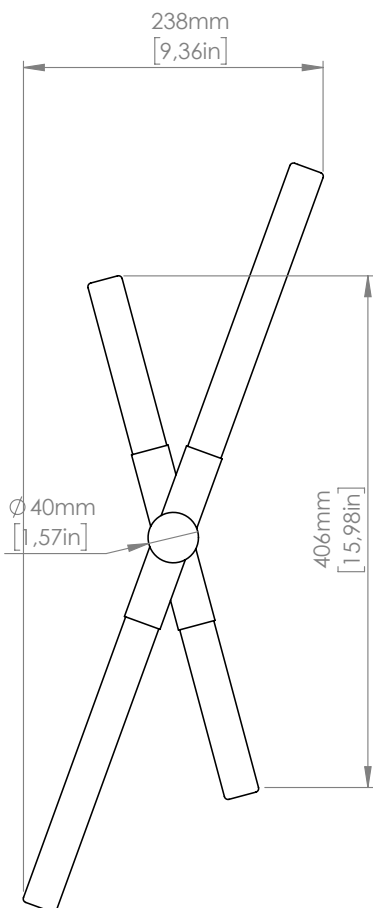
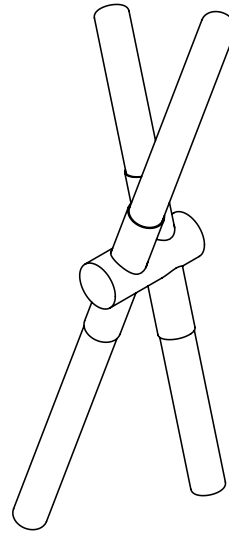
6 x 8W LED +
6 x 10W LED
3.000 K; CRI: >90
IP20

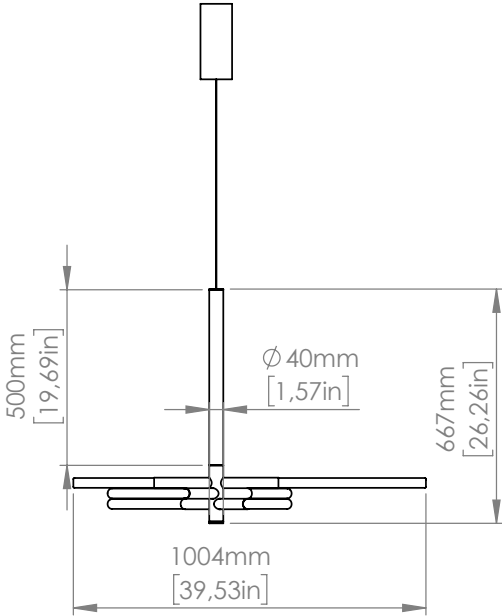
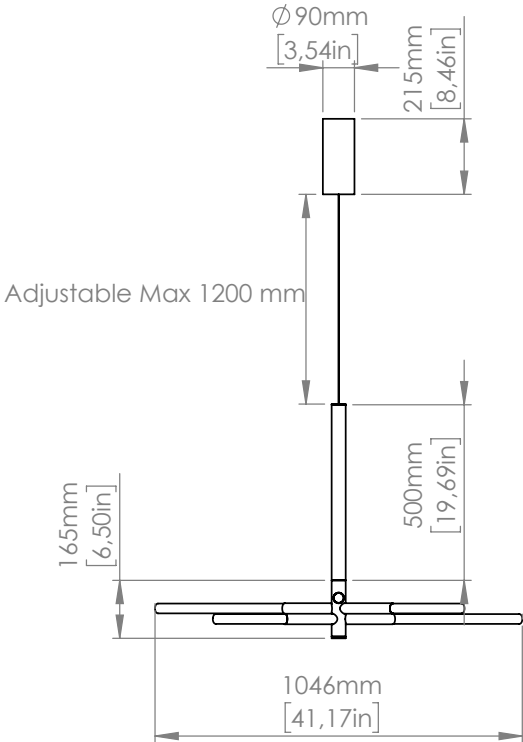
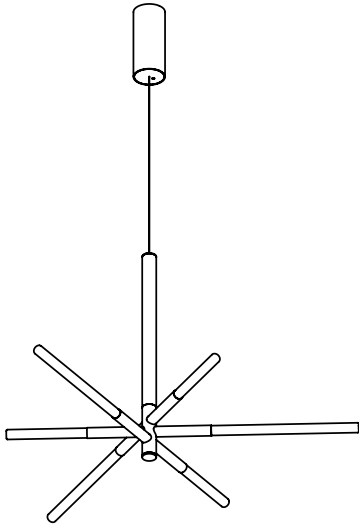
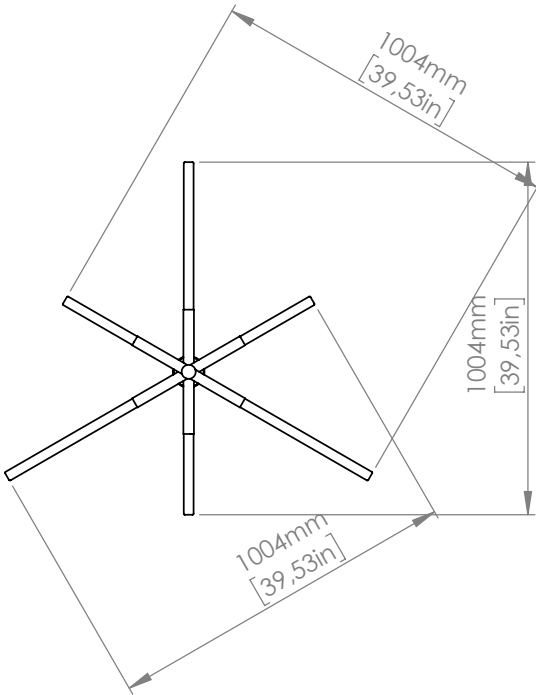
*Phase cut/Triac dimming
1-10V dimming systems
available on demand*

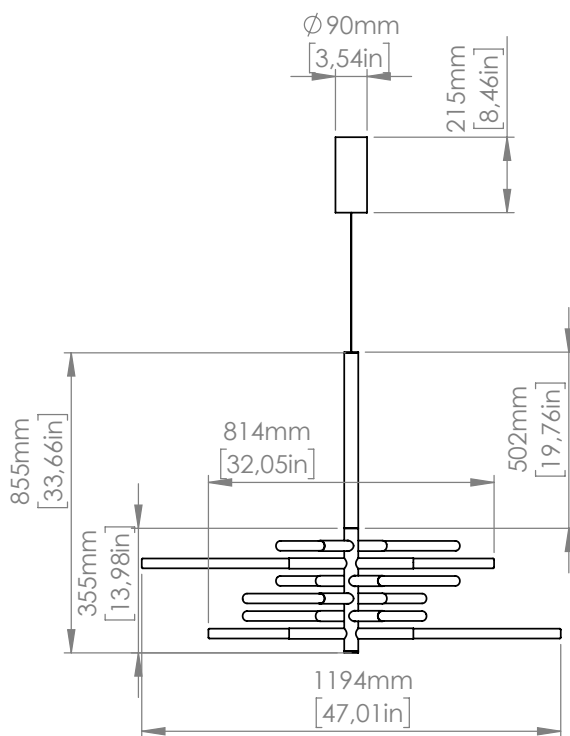
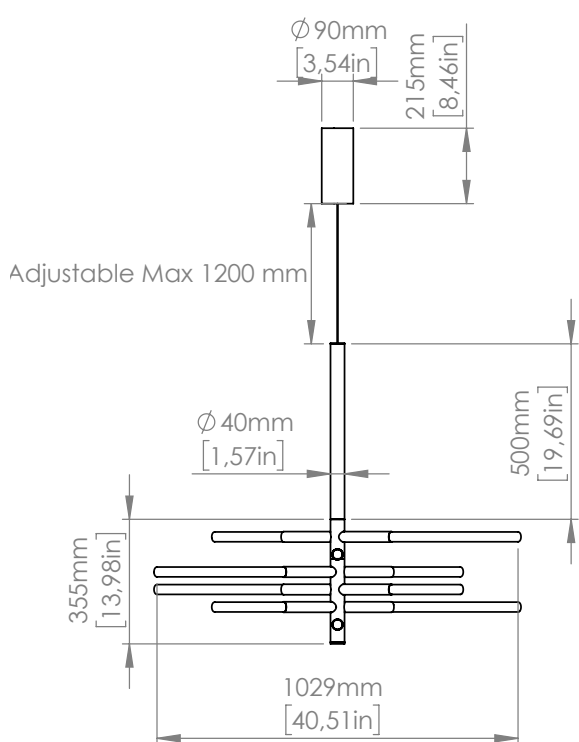
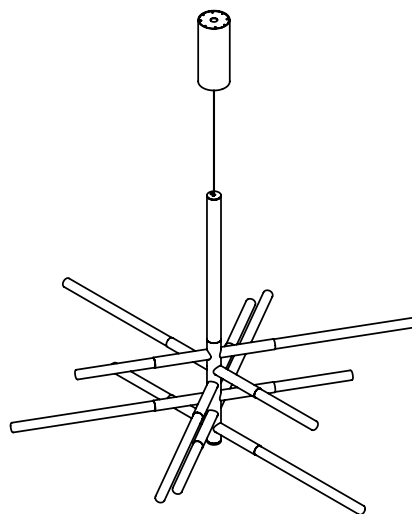
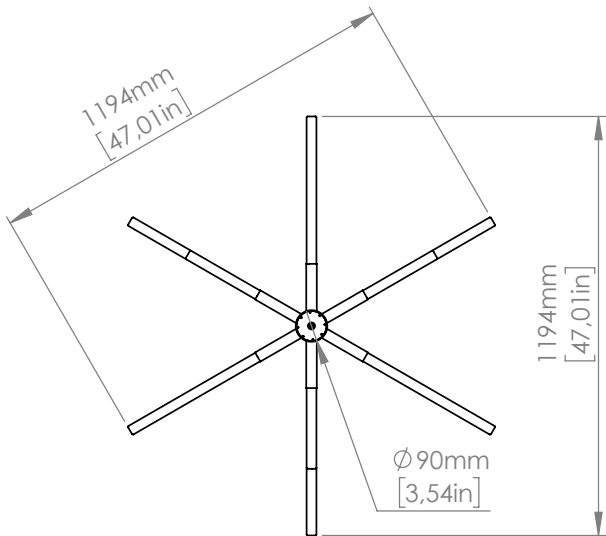




CAUTION:
REMOTE LED DRIVER







Copyright and/or design rights subsist in this drawing. No part of this drawing may be reproduced in any material form (including photocopying or storing in any medium electronic means, whether or not intentionally and whether or not as part or a larger publication) without the express permission of the copyright owner, Contardi Lighting S.r.l.. Further and without prejudice to the above, this drawing and all information relating thereto is confidential, and shall not be communicated to a third party without the consent of Contardi lighting srl. Contardi lighting srl asserts all rights to be identified as the author of the work and otherwise.

WARNING: The doing of any unauthorised act in relation to a copyright work may result in both a civil claim for damages and criminal prosecution.

CONTARDI LIGHTING Srl

ITALY HEADQUARTERS

www.contardi-italia.com / sales@contardi-italia.it

CONTARDI USA Inc

USA BRANCH

www.contardi-usa.com / office@contardi-usa.com

