

Calypso so xl outdoor

Servomoto



ANTIGUA



GUADALOUPE



MARTINIQUE



Calypso si allarga con le sospensioni in formato XL anche IP65 da esterno, dalle medesime caratteristiche delle versioni standard. Disponibile nelle tre famose combinazioni Antigua Mint, Guadaloupe Sale e Pepe e Martinique Yellow, su richiesta è possibile avere anche le altre colorazioni della collezione Calypso SO Outdoor.

Calypso family grows with the suspensions in XL format also in IP65 outdoor version, with the same characteristics as the standard versions. Available in the three famous combinations Antigua Mint, Guadaloupe Sale e Pepe and Martinique Yellow, on request it is also possible to order the other colours of Calypso SO collection.

SPECIFICHE PRODOTTO / PRODUCT SPECIFICS

p.2

CALYPSO SO XL OUTDOOR ANTIGUA
CALYPSO SO XL OUTDOOR GUADALOUPE
CALYPSO SO XL OUTDOOR MARTINIQUE

p.3

p.4

p.5

STRUTTURA / FRAME

Laccato oro opaco
Matt gold lacquered



Corda da marina impermeabile
intrecciata in tinta verde
Green waterproof braided rope

DIFFUSORE E PARALUME / DIFFUSER AND SHADE

Vetro trasparente
Transparent glass

ANTIGUA

Mint

GUADALOUPE

Sale e pepe

MARTINIQUE

Yellow

MANUTENZIONE E PULIZIA**TESSUTI**

I tessuti utilizzati per le collezioni OUTDOOR sono impermeabili e/o idrorepellenti.

Tessuti ignifughi: CLASSE UNO IM - BS EN 1021.1:2006 CIGARETTE TEST - BS EN 1021.2:2006 BUTANE FLAME TEST - NPFA 260:CLASS 1 IMO A0652(16) - CIGARETTE TEST AND BUTANE TEST

Possibilità di regolare l'altezza del cordone. Consultare le istruzioni di montaggio per le informazioni dettagliate.

MAINTENANCE AND CLEANING**FABRICS**

The fabrics used for the OUTDOOR collections are waterproof and/or water repellent.

Fire-resistant fabric: CLASSE UNO IM - BS EN 1021.1:2006 CIGARETTE TEST - BS EN 1021.2:2006 BUTANE FLAME TEST - NPFA 260:CLASS 1 IMO A0652(16) - CIGARETTE TEST AND BUTANE TEST

Adjustable rope length. Refer to the installation instructions.

CAVO / CABLE

Corda da marina impermeabile intrecciata in tinta verde
Green waterproof braided rope

H: 2000 mm
H: 78.7"

FONTE LUMINOSA / LIGHT SOURCE**220-240V**

E27 T8 Tubular LED

1 x 9W E27 T8
Lampadina Tubular LED
Tubular LED bulb
IP65

Compatibile con sistemi di controllo
remoto in caso di utilizzo di lampadine
LED dimmerabili

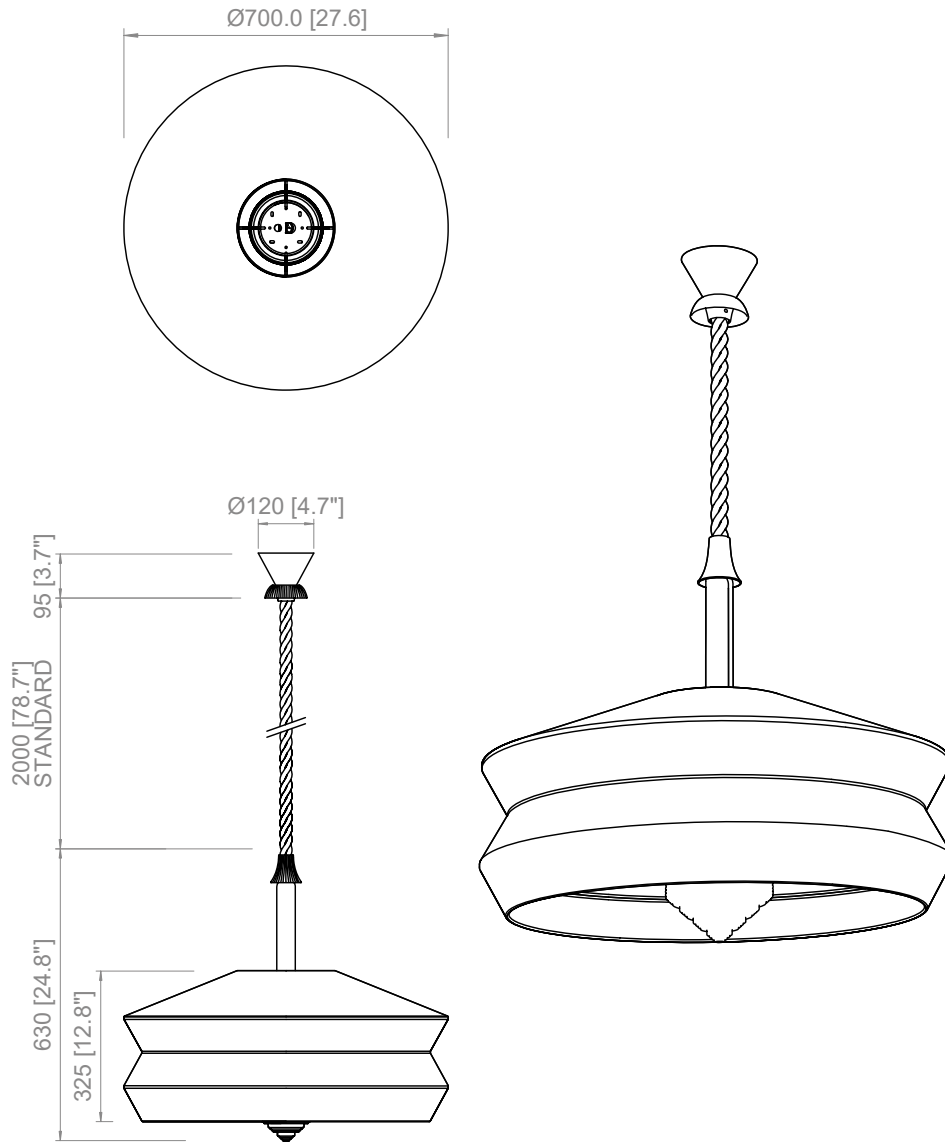
*Compatible with remote control systems
when dimmable LED bulbs are used*

**110V**

E26 T8 Tubular LED

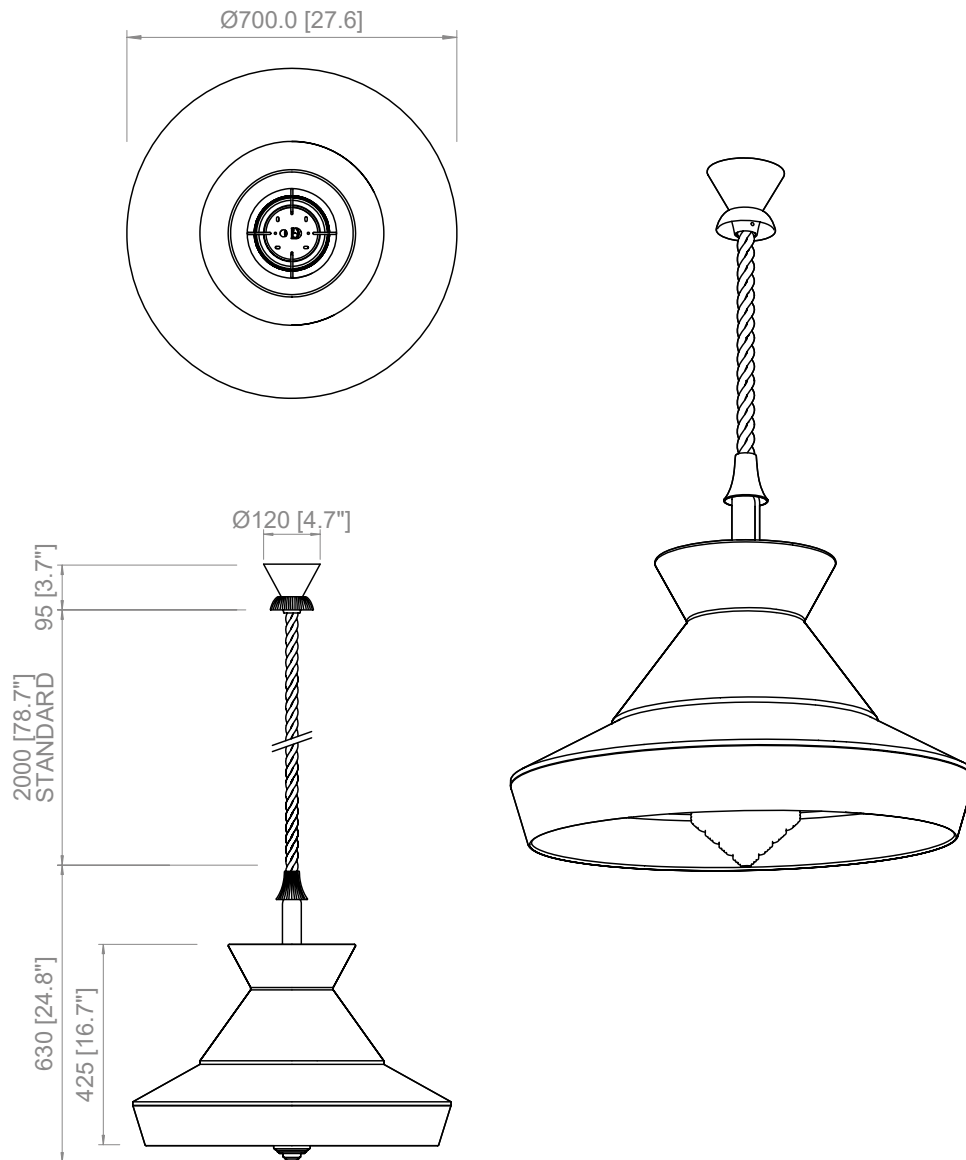
1 x 9W E26 T8
Tubular LED bulb
IP65

Compatible with remote control systems
when dimmable LED bulbs are used



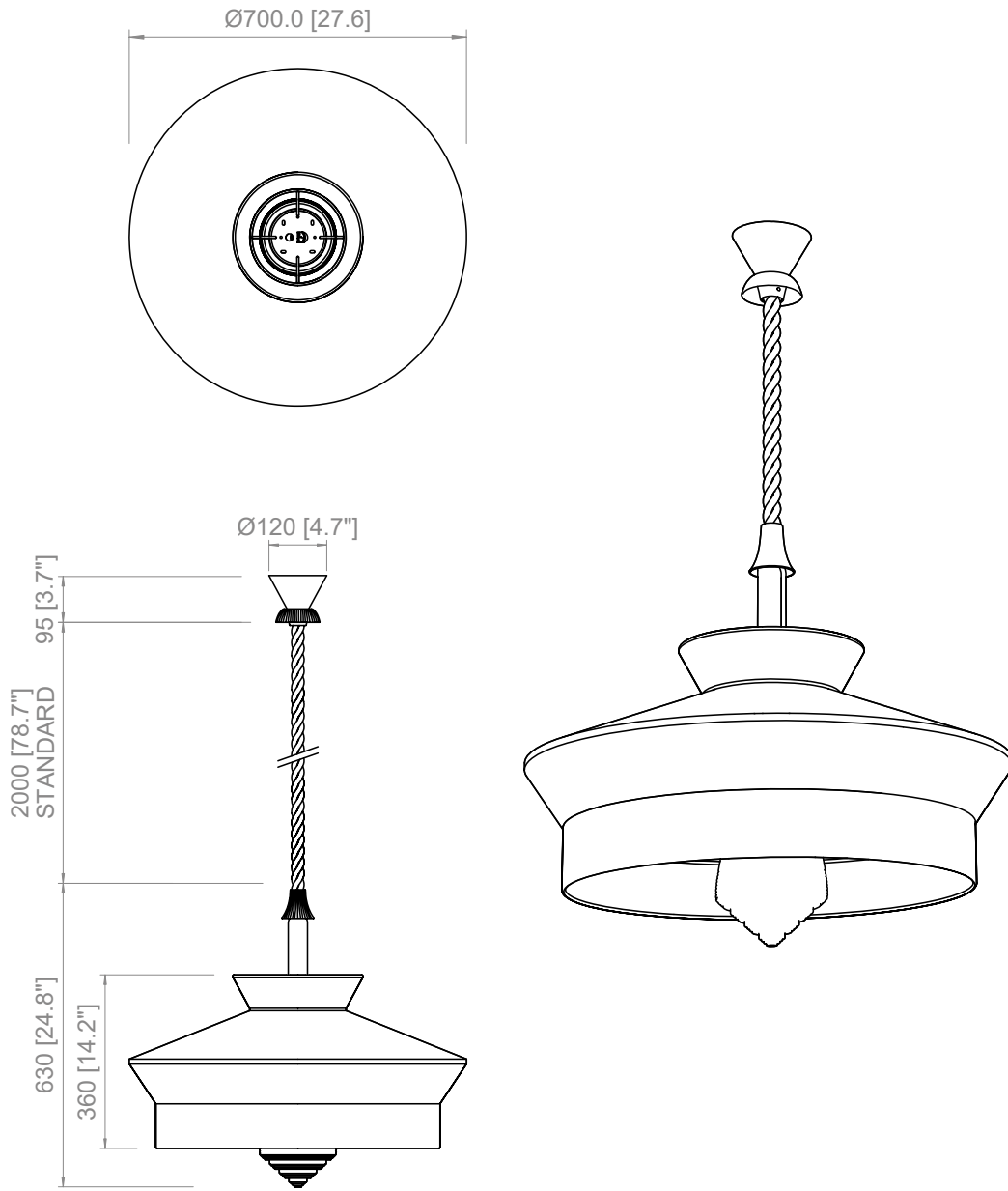
PRODOTTO / PRODUCT **IMBALLI / PACKAGING**

Peso-Weight	Box 1	Box 2
8 kg / 17.6 lbs	L: 505 mm / 19.8"	L: 755 mm / 29.7"
	P-W: 475 mm / 18.7"	P-W: 755 mm / 29.7"
	H: 205 mm / 8"	H: 450 mm / 17.7"
	Peso-Weight: 3.5 kg / 7.7 lbs	Peso-Weight: 7 kg / 15.4 lbs



PRODOTTO / PRODUCT **IMBALLI / PACKAGING**

Peso-Weight	Box 1	Box 2
8 kg / 17.6 lbs	L: 505 mm / 19.8"	L: 755 mm / 29.7"
	P-W: 475 mm / 18.7"	P-W: 755 mm / 29.7"
	H: 205 mm / 8"	H: 450 mm / 17.7"
	Peso-Weight: 3.5 kg / 7.7 lbs	Peso-Weight: 7 kg / 15.4 lbs



PRODOTTO / PRODUCT **IMBALLI / PACKAGING**

Peso-Weight	Box 1	Box 2
8 kg / 17.6 lbs	L: 505 mm / 19.8"	L: 755 mm / 29.7"
	P-W: 475 mm / 18.7"	P-W: 755 mm / 29.7"
	H: 205 mm / 8"	H: 450 mm / 17.7"
	Peso-Weight: 3.5 kg / 7.7 lbs	Peso-Weight: 7 kg / 15.4 lbs

Copyright and/or design rights subsist in this drawing. No part of this drawing may be reproduced in any material form (including photocopying or storing in any medium electronic means, whether or not intentionally and whether or not as part or a larger publication) without the express permission of the copyright owner, Contardi Lighting S.r.l.. Further and without prejudice to the above, this drawing and all information relating thereto is confidential, and shall not be communicated to a third party without the consent of Contardi lighting srl. Contardi lighting srl asserts all rights to be identified as the author of the work and otherwise.

WARNING: The doing of any unauthorised act in relation to a copyright work may result in both a civil claim for damages and criminal prosecution.

CONTARDI LIGHTING Srl

ITALY HEADQUARTERS

contardi-italia.com / sales@contardi-italia.it

CONTARDI USA Inc

USA BRANCH

contardi-usa.com / office@contardi-usa.com

