

Manhattan

CONTARDI STUDIO



Manhattan

CONTARDI STUDIO



WITHOUT SWITCH
TABLE



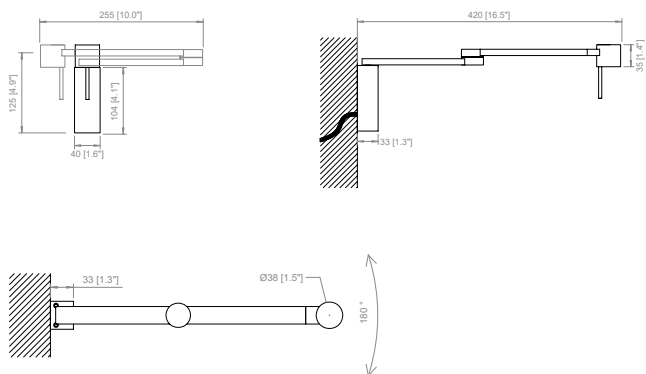
WITH SWITCH
WALL

Manhattan is the symbol of metropolitan elegance, with a design that moves fluidly on three axes: base, arms, and head. Made of high-quality brass, it combines sophisticated aesthetics with robust functionality. Perfect for hospitality and modern residential spaces, it offers controlled lighting adaptable to specific needs. Available in three different finishes, Manhattan stands out for its balance between style and advanced engineering.

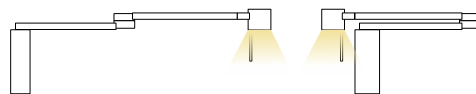
Manhattan è il simbolo dell'eleganza metropolitana, con un design che si muove fluidamente su tre assi: base, bracci e testa. Realizzata in ottone di alta qualità, combina un'estetica sofisticata con una funzionalità robusta. Perfetta per l'hospitality e spazi residenziali moderni, offre una luce controllata e adattabile alle esigenze specifiche. Disponibile in tre diverse finiture, Manhattan si distingue per il suo equilibrio tra stile e ingegneria avanzata.

P3 **Manhattan without switch**
P4 **Manhattan with switch**

WALL DETAILS | CARATTERISTICHE LAMPADA A PARETE
MANHATTAN WITHOUT SWITCH



LIGHT EFFECT | EFFETTO LUMINOSO



LIGHT SOURCE | FONTE LUMINOSA

220-240V · 110V | 1x3 W LED Module
 500 Lm | 2.700 K | CRI >90

FINISHES | FINITURE

METAL FRAME | STRUTTURA METALLICA

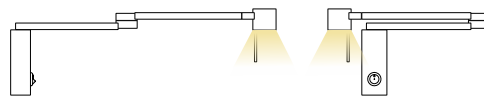
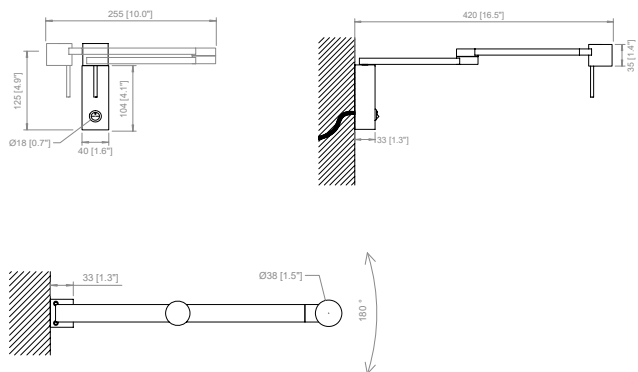
- Satin nickel
 Nickel satinato
- Satin brass
 Ottone satinato
- Satin bronze
 Bronzo satinato

Packaging | Imballi

WITHOUT SWITCH	215x335xh.55mm [8.4"x13.1"xh.2.1"]
WITH SWITCH	1 kg [2.2 lbs]

WALL DETAILS | CARATTERISTICHE LAMPADA A PARETE
MANHATTAN WITH SWITCH

LIGHT EFFECT | EFFETTO LUMINOSO



LIGHT SOURCE | FONTE LUMINOSA

220-240V · 110V | 1x3 W LED Module
 500 Lm | 2.700 K | CRI >90

FINISHES | FINITURE

METAL FRAME | STRUTTURA METALLICA

- Satin nickel
 Nickel satinato
- Satin brass
 Ottone satinato
- Satin bronze
 Bronzo satinato

Packaging | Imballi

WITHOUT SWITCH	215x335xh.55mm [8.4"x13.1"xh.2.1"]
WITH SWITCH	1 kg [2.2 lbs]



CONTARDI LIGHTING Srl

ITALY HEADQUARTERS
contardi-italia.com

CONTARDI USA Inc

USA BRANCH
contardi-usa.com

Copyright and/or design rights subsist in this drawing. No part of this drawing may be reproduced in any material form (including photocopying or storing in any medium electronic means, whether or not intentionally and whether or not as part or a larger publication) without the express permission of the copyright owner, Contardi Lighting S.r.l.. Further and without prejudice to the above, this drawing and all information relating thereto is confidential, and shall not be communicated to a third party without the consent of Contardi lighting srl. Contardi Lighting Srl asserts all rights to be identified as the author of the work and otherwise.

WARNING: The doing of any unauthorised act in relation to a copyright work may result in both a civil claim for damages and criminal prosecution.