

AUDREY

Massimiliano Raggi



SO



FL



TA MEDIUM



TA LARGE



Prodotto icona ispirato al famoso cappello indossato da Audrey Hepburn nel celebre film "Colazione da Tiffany". Pensato per ambienti esclusivi ed eleganti quali lobbies, boutiques, clubs, ristoranti ma anche un residenziale di classe. La collezione Audrey, composta dalle due versioni da tavolo, quella da terra e la sospensione, è realizzata come vero e proprio esercizio di stile. Sono tre paralumi che si uniscono insieme: il cotone nella parte superiore e inferiore, la fascia in velluto molto sottile nella parte centrale, le due passamanerie in raso. Lo stelo è rivestito di corda in seta intrecciata.

Iconic product inspired by the famous hat worn by Audrey Hepburn in the movie "Breakfast at Tiffany's". Designed for exclusive and elegant locations such as lobbies, boutiques, clubs, restaurants and also for classy residential environments. Audrey collection, composed by two table versions, the floor and the suspended version, is designed as a true exercise of style. There are three shades that join together: the cotton on the upper and lower part, the very thin velvet band on the central part and the two satin trimmings. The stem is covered with braided silk rope.

SPECIFICHE PRODOTTO / PRODUCT SPECIFICS

AUDREY SO

p2

AUDREY FL

p3

AUDREY TA MEDIUM

p4

AUDREY TA LARGE

p5

p6

**STRUTTURA / FRAME**

Copribase e rosone laccato nero lucido
Black lacquered base and canopy



Stelo in corda di seta intrecciata nera
Stem covered by black braided silk rope

PARALUME / SHADE

Cotone e velluto avorio
Passamaneria in raso avorio
*Ivory cotton and velvet
Ivory satin trimming*



Cotone e velluto avorio
Passamaneria in raso nero
*Ivory cotton and velvet
Black satin trimming*

NOTE:

1. Fascia centrale in velluto: agire con delicatezza e attenzione; non strofinare, non spazzolare in contro pelo.

NOTES:

1. Central velvet band: act gently and carefully; do not rub, do not brush against the nap.

CAVO - INTERRUTTORE / CABLE - SWITCH

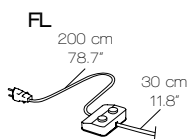
Tessuto nero
Black fabric

SO

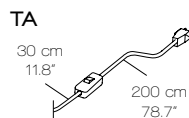
H: 200 cm
H: 78.7"

FL

Doppio interruttore On-Off
Doppia accensione
*Double On-Off switch
Double switching*
L: 30 + 200 cm
L: 11.8" + 78.7"

**TA**

Interruttore On-Off
On-Off switch
L: 30 + 200 cm
L: 11.8" + 78.7"

**FONTE LUMINOSA / LIGHT SOURCE**

E27 LED

FL / SO

3 X E27
Lampadine LED
LED light bulbs

TA MEDIUM / TA LARGE

1 X E27
Lampadine LED
LED light bulbs

DIMMERABLE / DIMMABLE**TA**

Disponibile versione con dimmer per LED su cavo compatibile solo con lampadine LED dimmerabili

Available, on demand, dimmer switch on the cable (to use dimmable LED light bulbs only)

**USA / CABLE - SWITCH**

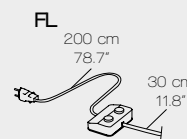
Black cable

SO

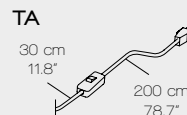
H: 78.7"

FL

Double On-Off switch
Double switching
L: 11.8" + 78.7"

**TA**

On-Off switch
L: 11.8" + 78.7"

**USA / LIGHT SOURCE**

E26 LED

FL / SO

3 X E26
LED light bulbs

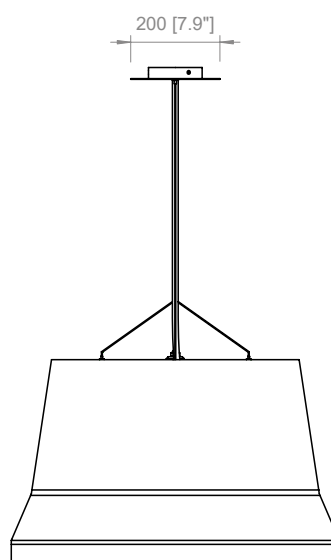
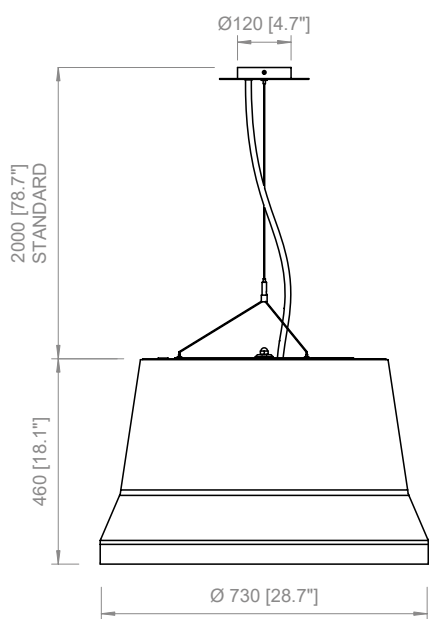
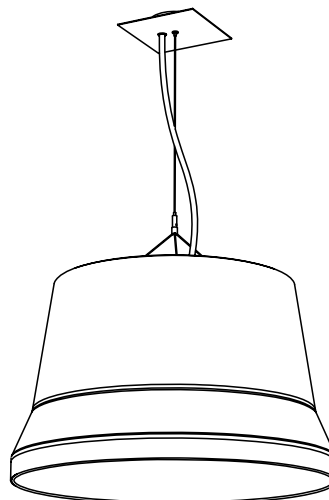
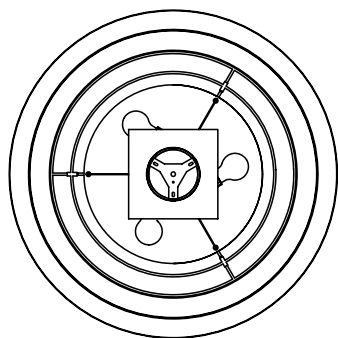
TA MEDIUM / TA LARGE

1 X E26
LED light bulbs

DIMMABLE**TA**

Available, on demand, dimmer switch on the cable (to use dimmable LED light bulbs only)





PRODOTTO / PRODUCT

PESO / WEIGHT
9 kg / 19.8 lbs

BOX 1

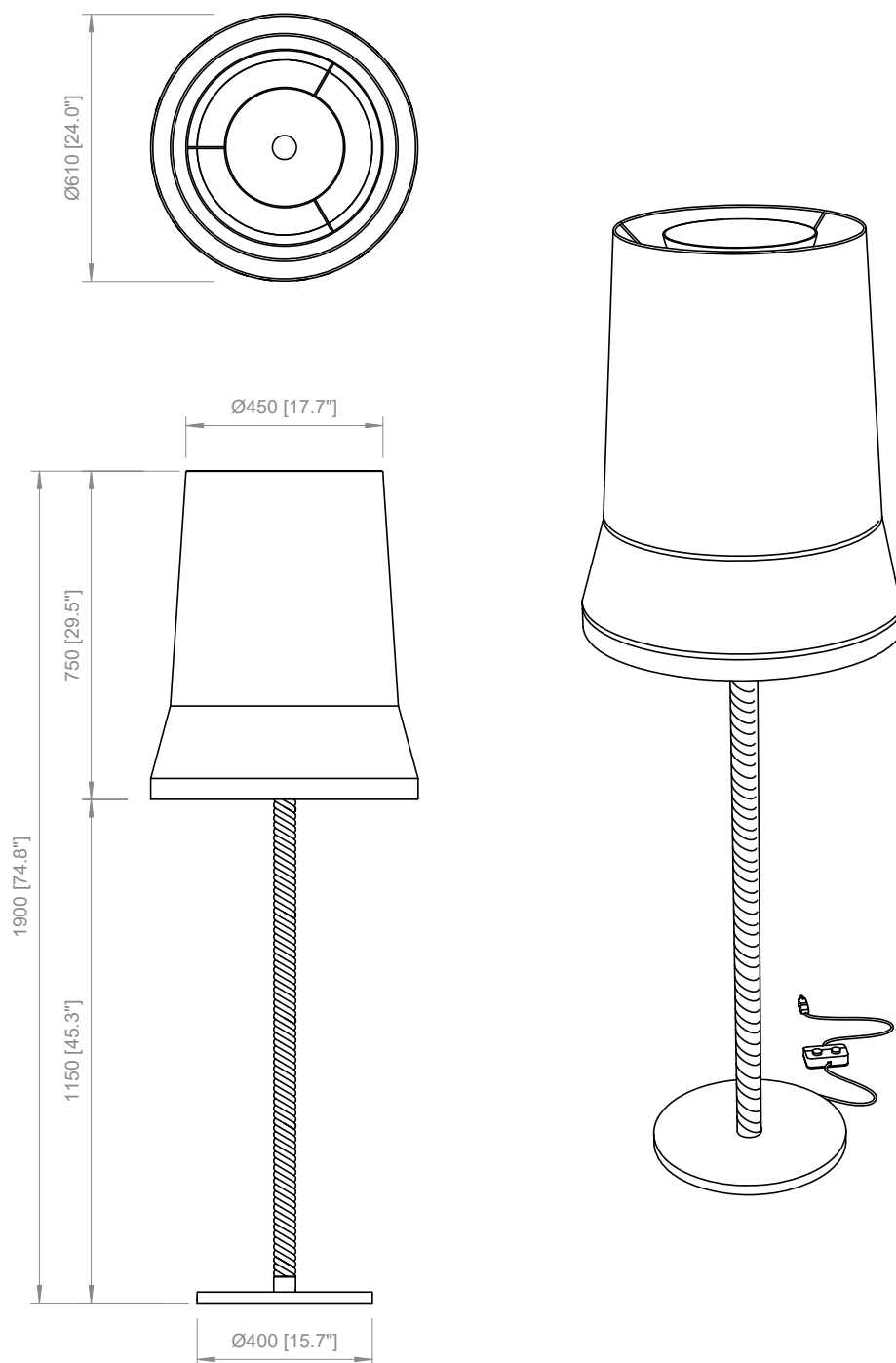
L: 52 cm / 20.5"
W: 52 cm / 20.5"
H: 32 cm / 12.6"

PESO / WEIGHT
4 kg / 8.8 lbs

BOX 2

L: 83 cm / 32.7"
W: 83 cm / 32.7"
H: 52 cm / 20.5"

PESO / WEIGHT
8,5 kg / 18.7 lbs

**PRODOTTO / PRODUCT**

PESO / WEIGHT
17,5 kg / 38.5 lbs

BOX 1

L: 22 cm / 8.6"
W: 22 cm / 8.6"
H: 192 cm / 75.6"

PESO / WEIGHT
5 kg / 11 lbs

BOX 2

L: 65 cm / 25.6"
W: 65 cm / 25.6"
H: 82 cm / 32.3"

PESO / WEIGHT
6,5 kg / 14.3 lbs

BOX 3

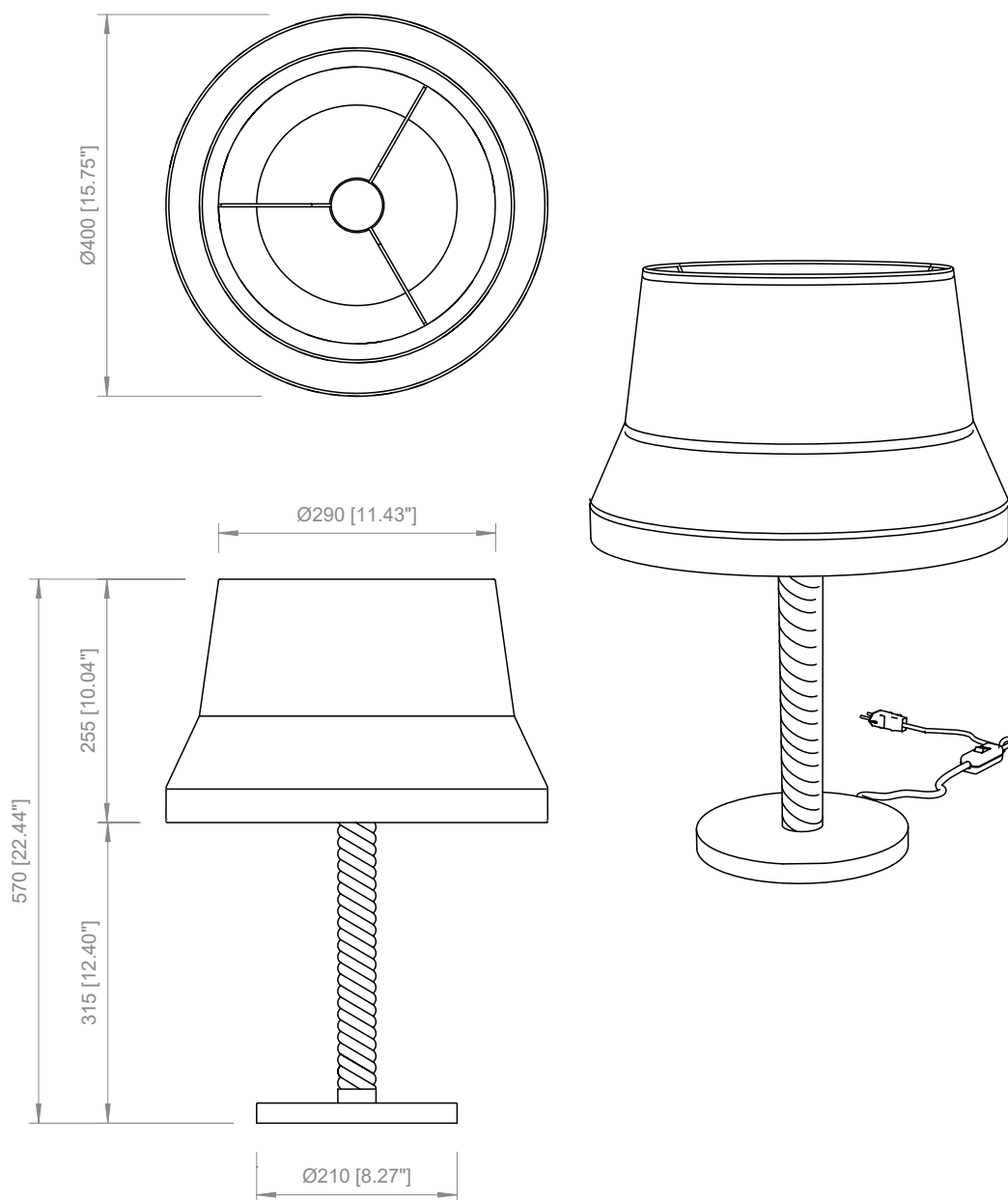
L: 25 cm / 9.8"
W: 25 cm / 9.8"
H: 20 cm / 7.8"

PESO / WEIGHT
1 kg / 2.2 lbs

BOX 4

L: 55 cm / 21.6"
W: 55 cm / 21.6"
H: 12 cm / 4.7"

PESO / WEIGHT
12 kg / 26.4 lbs



PRODOTTO / PRODUCT

PESO / WEIGHT
2 kg / 4.4 lbs

BOX 1

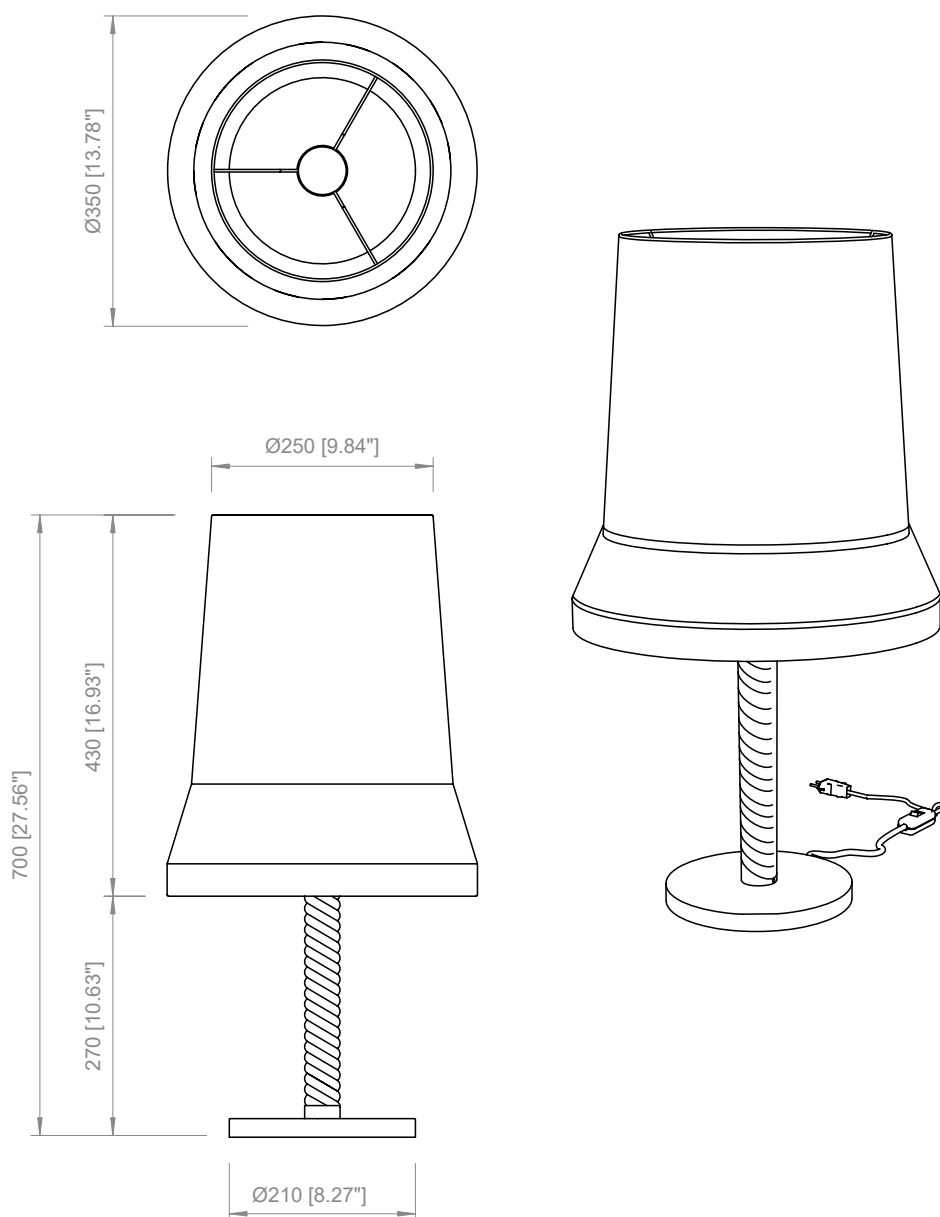
L: 35 cm / 13.8"
W: 32 cm / 12.6"
H: 55 cm / 21.6"

PESO / WEIGHT
2,5 kg / 5.5 lbs

BOX 2

L: 43 cm / 17"
W: 43 cm / 17"
H: 31 cm / 12.2"

PESO / WEIGHT
2,5 kg / 5.5 lbs



PRODOTTO / PRODUCT

PESO / WEIGHT
2 kg / 4.4 lbs

BOX 1

L: 35 cm / 13.8"
W: 32 cm / 12.6"
H: 55 cm / 21.6"

PESO / WEIGHT
2,5 kg / 5.5 lbs

BOX 2

L: 43 cm / 17"
W: 43 cm / 17"
H: 31 cm / 12.2"

PESO / WEIGHT
2,5 kg / 5.5 lbs



Copyright and/or design rights subsist in this drawing. No part of this drawing may be reproduced in any material form (including photocopying or storing in any medium electronic means, whether or not intentionally and whether or not as part or a larger publication) without the express permission of the copyright owner, Contardi Lighting S.r.l.. Further and without prejudice to the above, this drawing and all information relating thereto is confidential, and shall not be communicated to a third party without the consent of Contardi lighting srl. Contardi lighting srl asserts all rights to be identified as the author of the work and otherwise.

WARNING: The doing of any unauthorised act in relation to a copyright work may result in both a civil claim for damages and criminal prosecution.

CONTARDI LIGHTING Srl

ITALY HEADQUARTERS

www.contardi-italia.com / sales@contardi-italia.it

CONTARDI USA Inc

USA BRANCH

www.contardi-usa.com / sales@contardi-usa.com

