

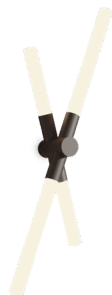
Bianca wall

DAINELLI STUDIO



Bianca wall

DAINELLI STUDIO



WALL

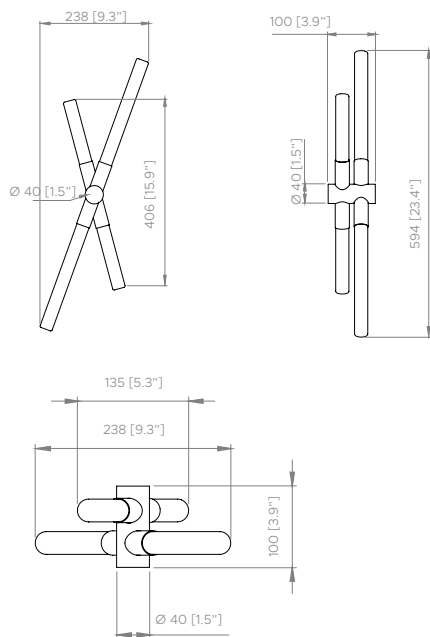


LINEAR
WALL

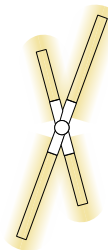
Inspired by the perfect geometry of a snowflake, Bianca Twist introduces a new helical configuration that enhances the light's sense of lightness and dynamism. A striking presence, designed to define space with balance, elegance, and an aesthetic suspended between nature and engineering.

Ispirata alla geometria perfetta del fiocco di neve, Bianca Twist introduce una nuova configurazione elicoidale che esalta la leggerezza e il dinamismo della luce. Una presenza scenografica, pensata per definire lo spazio con equilibrio, eleganza e un'estetica sospesa tra natura e ingegneria, ideale per grandi ambienti e installazioni creative.

- P3 **Bianca wall remote driver**
- P4 **Bianca wall driver on board**
- P5 **Bianca wall linear remote driver**
- P6 **Bianca wall linear driver on board**



LIGHT EFFECT | EFFETTO LUMINOSO



LIGHT SOURCE | FONTE LUMINOSA

220-240V · 110V | 24V | 2x4.4 W + 2x5.6 W Custom tubular LED bulbs
 2x350 Lm + 2x500 Lm (1.700 Lm tot.) | 2.700 K | CRI >90

DIMMING | DIMMERAZIONE

Phase cut (Triac) | Taglio di fase
 DALI or 1-10V on demand | DALI o 1-10V su richiesta

FINISHES | FINITURE

METAL FRAME | STRUTTURA METALLICA

- Gold
Oro
- Bronze
Bronzo

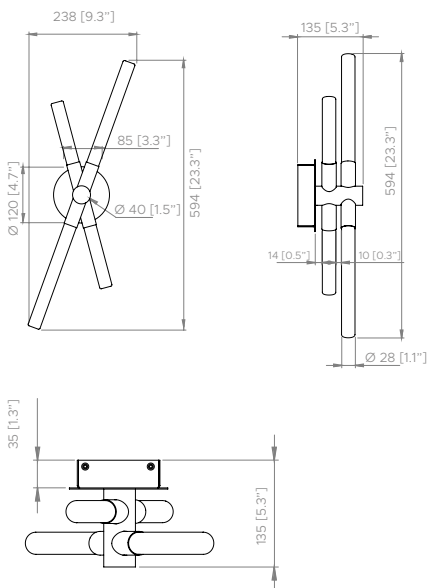
GLASS DIFFUSER | DIFFUSORE IN VETRO

- Milky white
Bianco latte

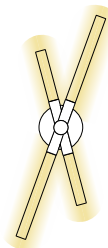
Packaging | Imballi

REMOTE DRIVER	490x230xh.340mm [19.2"x9"xh.13.3"]
	2,5 kg [5.5 lbs]

BIANCA WALL DRIVER ON BOARD



LIGHT EFFECT | EFFETTO LUMINOSO



LIGHT SOURCE | FONTE LUMINOSA

220-240V · 110V | 24V | 2x4.4 W + 2x5.6 W Custom tubular LED bulbs
 2x350 Lm + 2x500 Lm (1.700 Lm tot.) | 2.700 K | CRI >90

DIMMING | DIMMERAZIONE

Phase cut (Triac) | Taglio di fase
 DALI or 1-10V on demand | DALI o 1-10V su richiesta

FINISHES | FINITURE

METAL FRAME | STRUTTURA METALLICA

- Gold
 Oro
- Bronze
 Bronzo

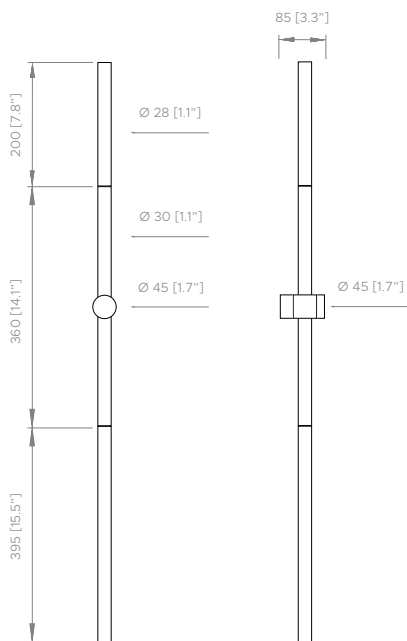
GLASS DIFFUSER | DIFFUSORE IN VETRO

- Milky white
 Bianco latte

Packaging | Imballi

DRIVER ON BOARD	490x230xh.340mm [19.2"x9"xh.13.3"]
	3 kg [6.6 lbs]

BIANCA WALL LINEAR REMOTE DRIVER



LIGHT EFFECT | EFFETTO LUMINOSO



LIGHT SOURCE | FONTE LUMINOSA

220-240V · 110V | 24V | 1x5.6 W + 1x9.4 W Custom tubular LED bulbs
 1x500 Lm + 1x950 Lm (1.450 Lm tot.) | 2.700 K | CRI >90

DIMMING | DIMMERAZIONE

Phase cut (Triac) | Taglio di fase
 DALI or 1-10V on demand | DALI o 1-10V su richiesta

FINISHES | FINITURE

METAL FRAME | STRUTTURA METALLICA

- Gold
 Oro
- Bronze
 Bronzo

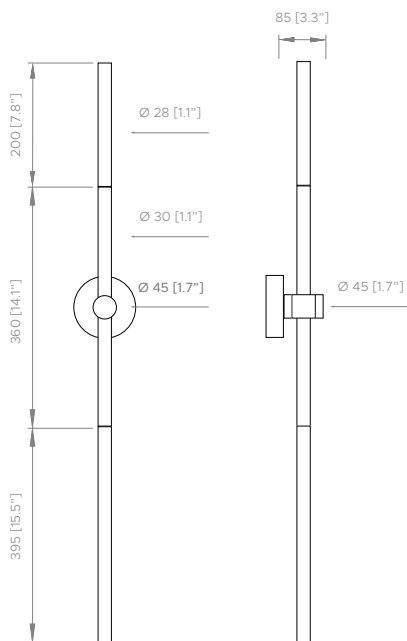
GLASS DIFFUSER | DIFFUSORE IN VETRO

-
- Milky white
 Bianco latte

Packaging | Imballi

REMOTE DRIVER	230x230xh.660mm [9"x9"xh.25.9"]
	3,5 kg [7.7 lbs]

BIANCA WALL LINEAR DRIVER ON BOARD



LIGHT EFFECT | EFFETTO LUMINOSO



LIGHT SOURCE | FONTE LUMINOSA

220-240V · 110V | 24V | 1x5.6 W + 1x9.4 W Custom tubular LED bulbs
1x500 Lm + 1x950 Lm (1.450 Lm tot.) | 2.700 K | CRI >90

DIMMING | DIMMERAZIONE

Phase cut (Triac) | Taglio di fase
DALI or 1-10V on demand | DALI o 1-10V su richiesta

FINISHES | FINITURE

METAL FRAME | STRUTTURA METALLICA

-  Gold
Oro
-  Bronze
Bronzo

GLASS DIFFUSER | DIFFUSORE IN VETRO

-  Milky white
Bianco latte

Packaging | Imballi

DRIVER ON BOARD	230x230xh.660mm [9"x9"xh.25.9"]
	4 kg [8.8 lbs]



CONTARDI LIGHTING Srl

ITALY HEADQUARTERS
contardi-italia.com

CONTARDI USA Inc

USA BRANCH
contardi-usa.com

Copyright and/or design rights subsist in this drawing. No part of this drawing may be reproduced in any material form (including photocopying or storing in any medium electronic means, whether or not intentionally and whether or not as part or a larger publication) without the express permission of the copyright owner, Contardi Lighting S.r.l.. Further and without prejudice to the above, this drawing and all information relating thereto is confidential, and shall not be communicated to a third party without the consent of Contardi lighting srl. Contardi Lighting Srl asserts all rights to be identified as the author of the work and otherwise.

WARNING: The doing of any unauthorised act in relation to a copyright work may result in both a civil claim for damages and criminal prosecution.