

Bianca suspension

DAINELLI STUDIO



Bianca suspension

DAINELLI STUDIO



SUSPENSION



TWIST
SUSPENSION



CEILING

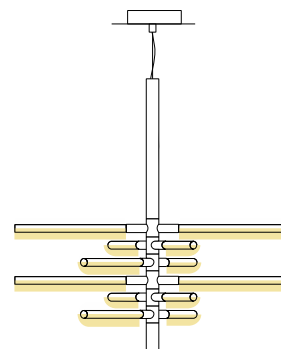
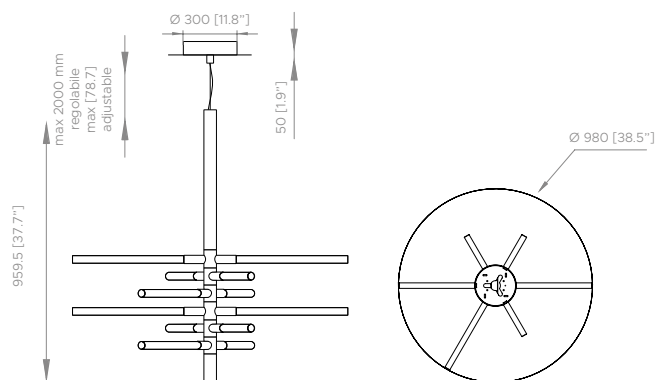
Inspired by the perfect geometry of a snowflake, Bianca Twist introduces a new helical configuration that enhances the light's sense of lightness and dynamism. A striking presence, designed to define space with balance, elegance, and an aesthetic suspended between nature and engineering.

Ispirata alla geometria perfetta del fiocco di neve, Bianca Twist introduce una nuova configurazione elicoidale che esalta la leggerezza e il dinamismo della luce. Una presenza scenografica, pensata per definire lo spazio con equilibrio, eleganza e un'estetica sospesa tra natura e ingegneria, ideale per grandi ambienti e installazioni creative.

- P3 **Bianca suspension**
- P4 **Bianca twist medium**
- P5 **Bianca twist large**
- P6 **Bianca ceiling**

BIANCA SUSPENSION

LIGHT EFFECT | EFFETTO LUMINOSO



LIGHT SOURCE | FONTE LUMINOSA

220-240V · 110V | 24V | 6x5.6 W + 6x9.4 W Custom tubular LED bulbs
6x500 Lm + 6x950 Lm (8.700 Lm tot.) | 2.700 K | CRI >90

DIMMING | DIMMERAZIONE

Phase cut (Triac) | Taglio di fase
DALI or 1-10V on demand | DALI o 1-10V su richiesta

CABLE | CAVO

Coaxial electric cable | Cavo elettrico coassiale
Steel cable for product balancing | Cavo di bilanciamento in acciaio
H.2000mm [78.7"]

FINISHES | FINITURE

METAL FRAME | STRUTTURA METALLICA

- Gold
Oro
- Bronze
Bronzo

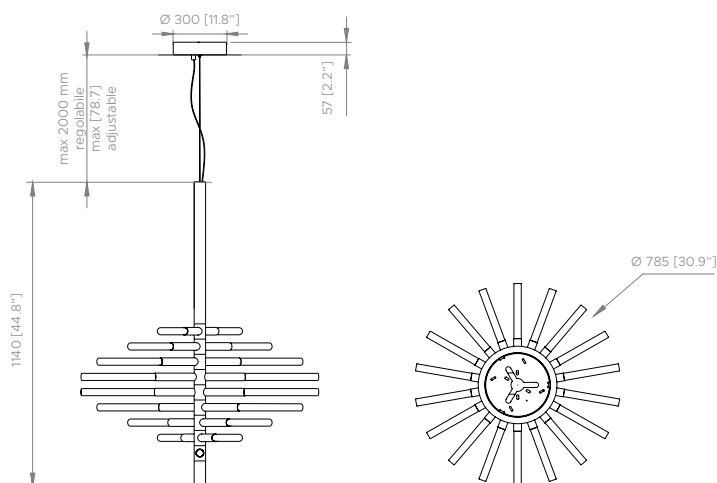
GLASS DIFFUSER | DIFFUSORE IN VETRO

- Milky white
Bianco latte

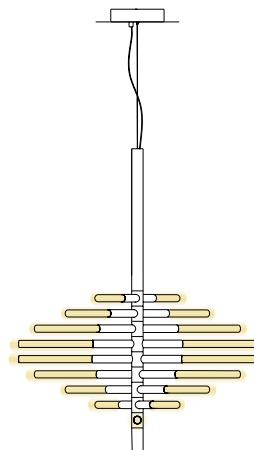
Packaging | Imballi

SUSPENSION	380x1070xh.250mm [14.9"x42.1"xh9.8"]
	10 kg [22 lbs]

BIANCA TWIST MEDIUM



LIGHT EFFECT | EFFETTO LUMINOSO



LIGHT SOURCE | FONTE LUMINOSA

220-240V · 110V | 24V | 18x5.6 W Custom tubular LED bulbs
 18x500 Lm (9.000 Lm tot.) | 2.700 K | CRI >90

DIMMING | DIMMERAZIONE

Phase cut (Triac) | Taglio di fase
 DALI or 1-10V on demand | DALI o 1-10V su richiesta

CABLE | CAVO

Coaxial electric cable | Cavo elettrico coassiale
 Steel cable for product balancing | Cavo di bilanciamento in acciaio
 H.2000mm [78.7"]

FINISHES | FINITURE

METAL FRAME | STRUTTURA METALLICA

- Gold
Oro
- Bronze
Bronzo

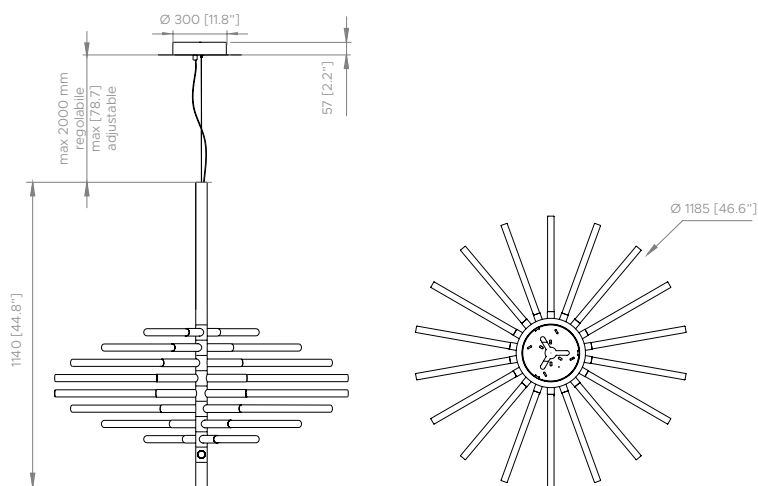
GLASS DIFFUSER | DIFFUSORE IN VETRO

- Milky white
Bianco latte

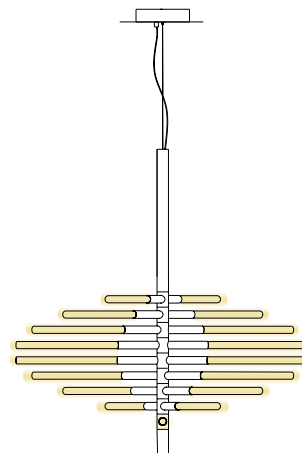
Packaging | Imballi

TWIST MEDIUM	480x440xh.1300mm [18.8"x17.3"xh.51.1"]
	14 kg [30.8 lbs]

BIANCA TWIST LARGE



LIGHT EFFECT | EFFETTO LUMINOSO



LIGHT SOURCE | FONTE LUMINOSA

220-240V · 110V | 24V | 18x9.4 W Custom tubular LED bulbs
 18x950 Lm (17.100 Lm tot.) | 2.700 K | CRI >90

DIMMING | DIMMERAZIONE

Phase cut (Triac) | Taglio di fase
 DALI or 1-10V on demand | DALI o 1-10V su richiesta

CABLE | CAVO

Coaxial electric cable | Cavo elettrico coassiale
 Steel cable for product balancing | Cavo di bilanciamento in acciaio
 H.2000mm [78.7"]

FINISHES | FINITURE

METAL FRAME | STRUTTURA METALLICA

- Gold
Oro
- Bronze
Bronzo

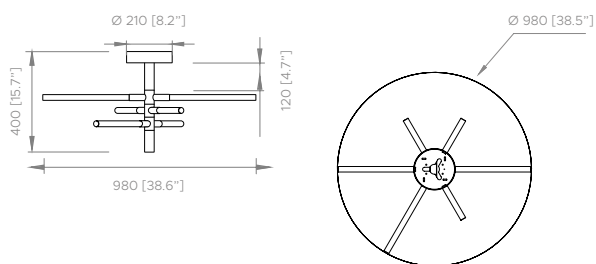
GLASS DIFFUSER | DIFFUSORE IN VETRO

- Milky white
Bianco latte

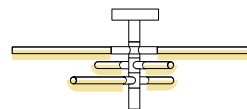
Packaging | Imballi

TWIST LARGE	480x440xh.1300mm [18.8"x17.3"xh.51.1"]
	16 kg [35.2 lbs]

BIANCA CEILING



LIGHT EFFECT | EFFETTO LUMINOSO



LIGHT SOURCE | FONTE LUMINOSA

220-240V · 110V | 24V | 3x5.6 W + 3x9.4 W Custom tubular LED bulbs
3x500 Lm + 3x950 Lm (3.400 Lm tot.) | 2.700 K | CRI >90

DIMMING | DIMMERAZIONE

Phase cut (Triac) | Taglio di fase
DALI or 1-10V on demand | DALI o 1-10V su richiesta

FINISHES | FINITURE

METAL FRAME | STRUTTURA METALLICA

- Gold
Oro
- Bronze
Bronzo

GLASS DIFFUSER | DIFFUSORE IN VETRO

- Milky white
Bianco latte

Packaging | Imballi

CEILING	480x440xh.500mm [18.8"x17.3"xh.19.6"]
	8 kg [17.6 lbs]



CONTARDI LIGHTING Srl

ITALY HEADQUARTERS
contardi-italia.com

CONTARDI USA Inc

USA BRANCH
contardi-usa.com

Copyright and/or design rights subsist in this drawing. No part of this drawing may be reproduced in any material form (including photocopying or storing in any medium electronic means, whether or not intentionally and whether or not as part or a larger publication) without the express permission of the copyright owner, Contardi Lighting S.r.l.. Further and without prejudice to the above, this drawing and all information relating thereto is confidential, and shall not be communicated to a third party without the consent of Contardi lighting srl. Contardi Lighting Srl asserts all rights to be identified as the author of the work and otherwise.

WARNING: The doing of any unauthorised act in relation to a copyright work may result in both a civil claim for damages and criminal prosecution.